



DUAL BAND Mobile Cellular Phone SGH-2400

SERVICE *Manual*

DUAL BAND Mobile Cellular Phone

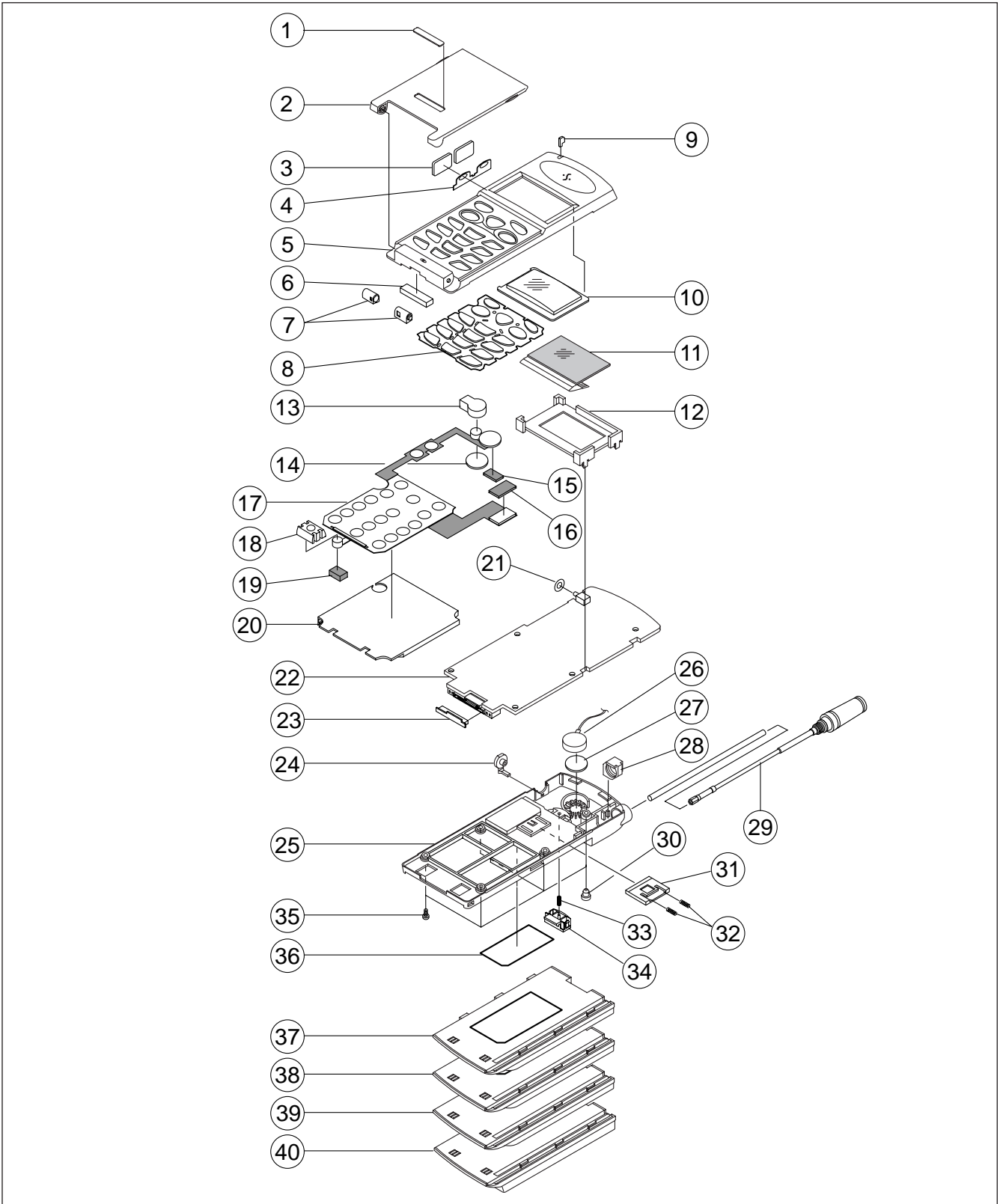


CONTENTS

1. Exploded Views and Parts List
2. Electrical Parts List
3. Block Diagrams
4. PCB Diagrams
5. Schematic Diagrams
6. Troubleshooting

1. Exploded Views and Parts List

1-1 Main

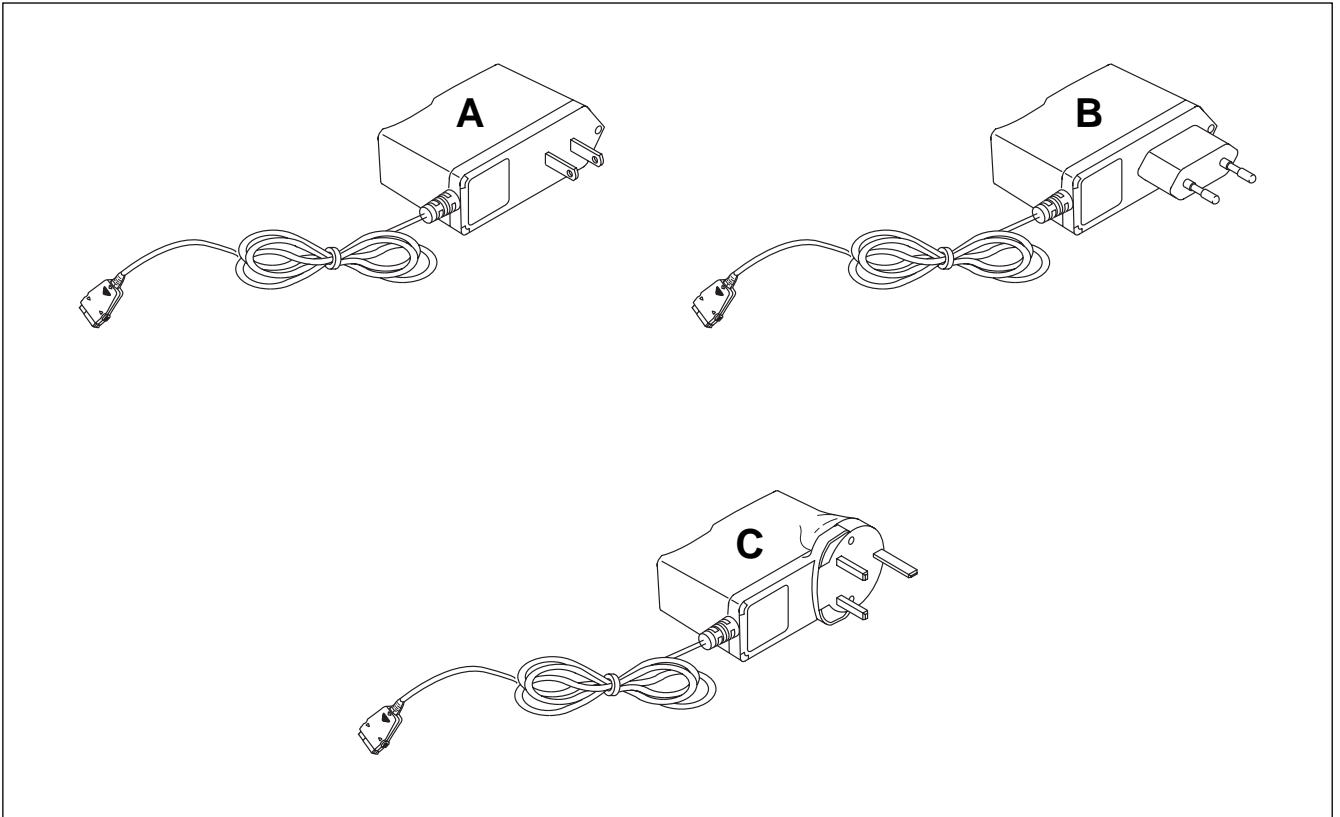


1-2 Main Parts List

NO	DESCRIPTION	SEC.CODE	Q'TY	REMARK
1	BADGE		1	
2	FLIP COVER		1	
3	KEY VOLUMN		1	
4	PUBBER-KEY		1	
5	FRONT COVER		1	
6	SPONGE S/W		1	
7	HINGE ASS'Y		2	
8	KEY-MAIN		1	
9	LED LENS		1	
10	SUA. WINDOW		1	
11	LCD		1	
12	LCD FRAME		1	
13	RUBBER-BUZZER		1	
14	SUPPORT BUZZER		1	
15	SUPPORT-SPK		1	
16	SUPPORT-CON.		1	
17	KEY-PCB		1	
18	HOLDER-MIC		1	
19	SPONGE-MIC		1	
20	SHIELD-FRAME		1	
21	JACK-COVER		1	
22	PCB		1	
23	COVER-CONNECTOR			
24	EAR-COVER			
25	REAR COVER		1	
26	MOTOR		1	
27	TAPE-MOTOR		1	
28	ANT.BRAKET		1	
29	ANTENNA		1	
30	RUBBER CAP		1	
31	SIM COVER		1	
32	SPRING-SIM		1	
33	SPRING-LOCKER		1	
34	LOCKER-MAIN		1	
35	SCREW MACHINE		1	
36	MAIN LABEL		1	
37	SLIM BATT.		1	
38	STD BATT.			

NO	DESCRIPTION	SEC.CODE	Q'TY	REMARK
39	EXT.BATT			
40	ULTRA EXT. BATT			

1-3 Travel Adapter

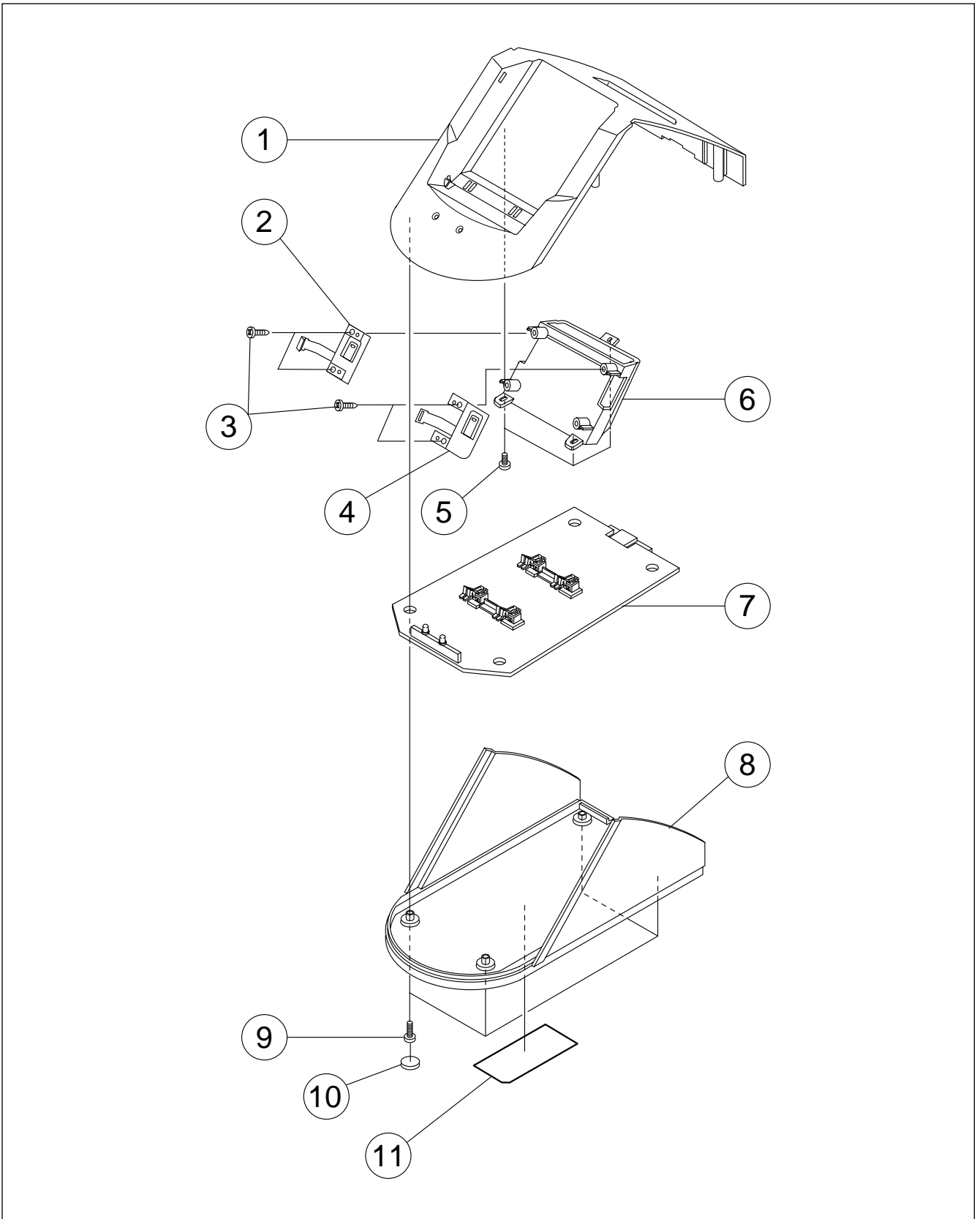


1-4 Travel Adapter Parts List

TYPE	SEC CODE	REMARK
A	GH96-01143A	CHINA
B	GH96-01146A	EUROPE
C	GH96-01095A	UNITED KINGDOM

1-5 Desk Top Charger

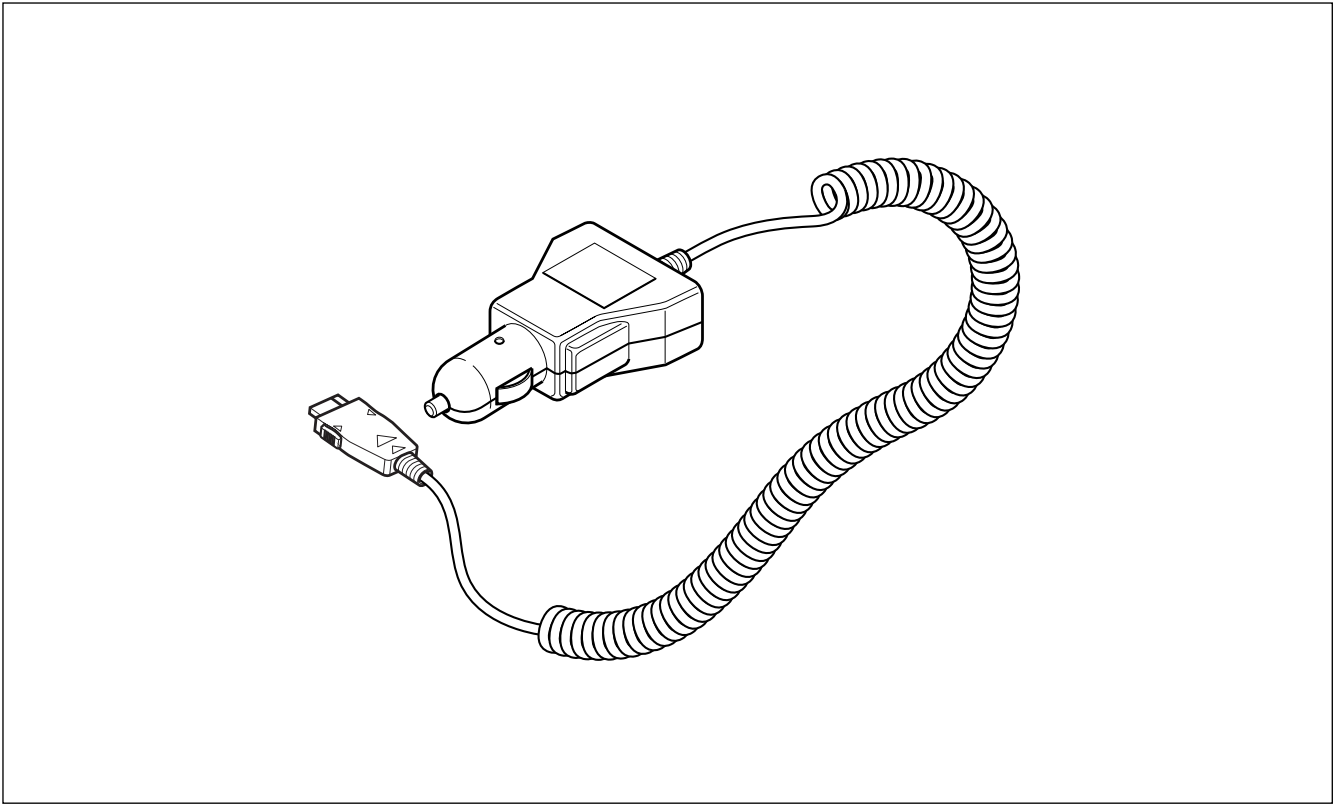
SEC CODE : GH44-00090A



1-6 Desk Top Charger Parts List

NO	DESCRIPTION	SEC.CODE	Q'TY	REMARK
1	UPPER CASE		1	
2	HANGER SPRING (L)		1	
3	SCREW TAPPING		4	
4	HANGER SPRING (R)		1	
5	SCREW TAPPING		3	
6	BATT. HOUSING		1	
7	PCB		1	
8	LOWER BASE		1	
9	SCREW TAPPING		4	
10	BUMPON		4	
11	LABEL		1	

1-7 Ciger Light Adapter

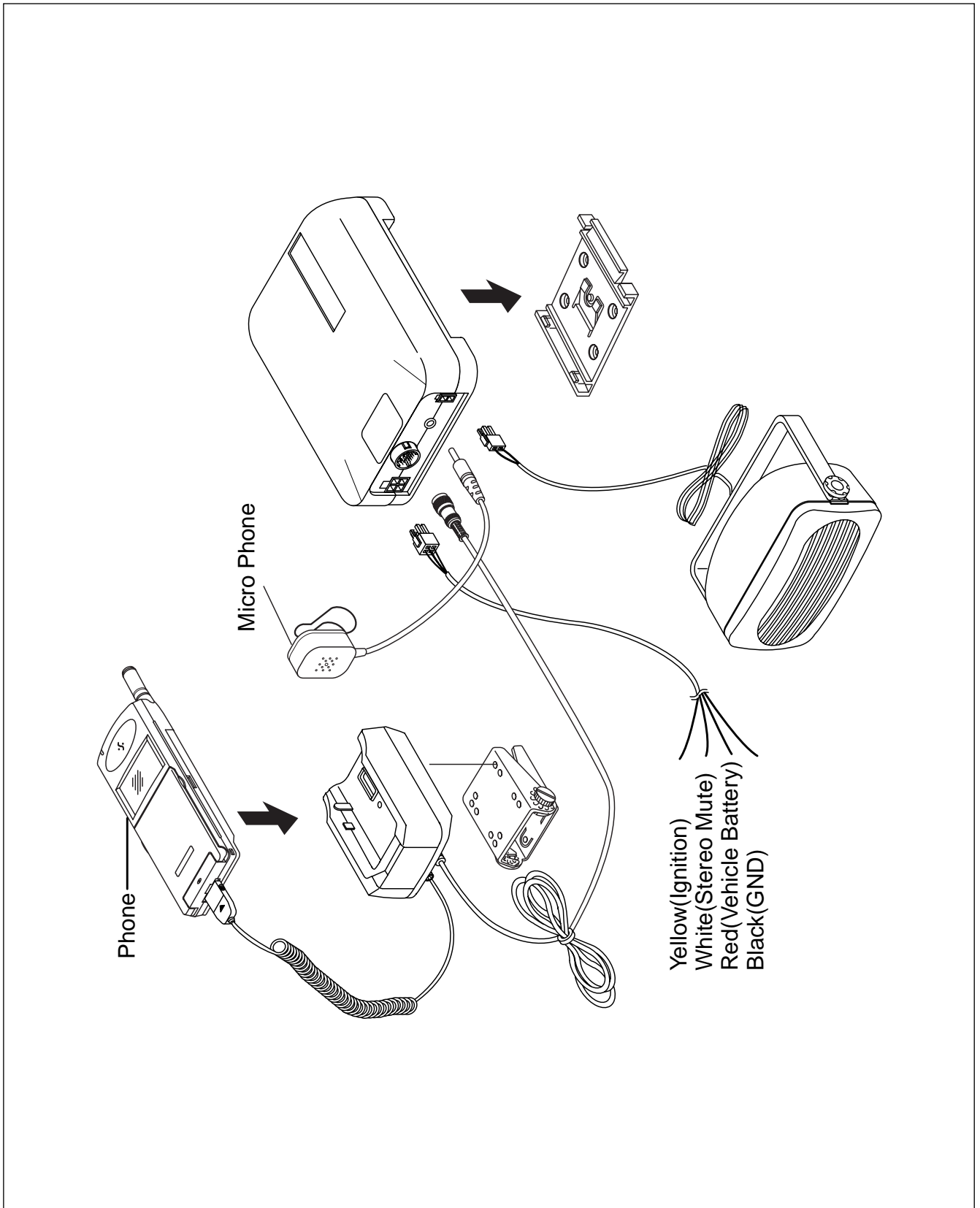


1-8 Ciger Light Adapter Parts List

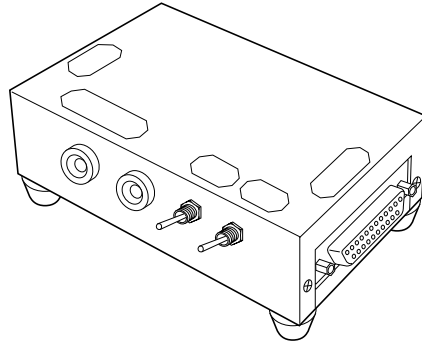
DESCRIPTION	SEC CODE	REMARK
Ciger Light Adapter Code	GH44-00040A	BLACK

1-9 Hands Free Kit

SEC CODE : GH96-00800A

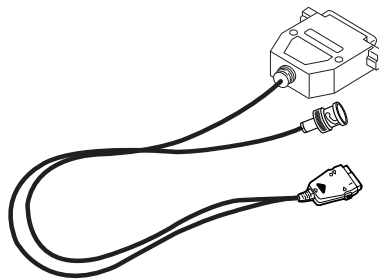


1-10 Test Jig



TEST JIG

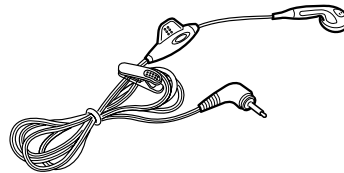
GH80-10508A



DATA CABLE

GH39-30532A

1-11 Earphone



EARPHONE

GH96-00830A

2 Electrical Parts List

2-1 Main Parts List

REFERENCE	SEC.CODE	DESCRIPTIONS
D401,D801	0401-001033	Diode-Switching,25V,200mA
D253,D255,D808	0404-001044	Diode-Schottky,20V,1A,SMD
D400	0404-001054	Diode-Schottky,70V,15mA,SOT-143
D600	0405-001051	Diode-Varactor,4.7V,50nA,SOT-23
D101,D102,D176,D820,D903	0406-001084	ESD Diode
D252	0407-001002	Diode-Array,80V,300mA,CA2-3
D901,D902	0407-001006	Diode-Array,20V,100mA,C2-3
D251	0407-001007	Diode-Array,80V,25mA,CA4-2
Q958	0501-000162	TR-SMALL SIGNAL,PNP,200mW,SOT-323
Q951	0501-002011	TR-SMALL SIGNAL,NPN,200mW,SOT-23
Q300	0501-002037	TR-SMALL SIGNAL,MPN,55mW,SOT-434
Q601,Q604	0501-002196	TR-SMALL SIGNAL,NPN,280mW,SOT-323
U307	0501-002205	TR-SMALL SIGNAL,NPN,SOT-343
Q151,Q153,Q255	0504-000167	TR-Digital,NPN,100mW,10K10Kohm
Q256,Q257	0504-000168	TR-Digital,NPN,100mW,47K47Kohm
Q500	0505-000110	FET-SILICON,60V,115mA,200mW
U501,U502	0505-001131	FET-SILICON,-12V,-500mA,690mohm
Q950,Q957	0505-001332	FET-SILICON
Q600	0506-000173	TR-ARRAY,NPN,80mW,SOT-363
U128,U252,U302,U303,U400,U403,U412,U813	0506-001004	TR-ARRAY,NPN/PNP,50V,-100mA
LED100	0601-000276	LED/CHIP
U902,U903	0801-000022	IC-CMOS LOGIC,NANDGATE,SOP,5P
U900,U901,U904,U906	0801-000794	IC-CMOS LOGIC,ANDGATE,SOT-25,5P
U905	0801-002345	IC-CMOS LOGIC,INVERTER,SOP,5P
U413,U414	0801-002349	IC-CMOS LOGIC
U962,U963	1001-001088	ANALOG SWITCH
U969	1003-001226	IC-POWER DRIVER,SOP,8P,120MIL
U203	1103-001090	IC-EEPROM,16Kx8Bit,SOP,8P,150MIL
U105	1106-001287	IC-SRAM
U103	1107-001111	IC-Flash memory
U104	1107-001164	IC-Flash memory
U406	1201-001018	IC-OP AMP,SOT-23,5P,Single,70dB
U127	1201-001212	IC-OP AMP,SOP,14P,15V/Mv
U604	1201-001248	IC-CASCADE AMP,SOT-143,4P,2.7V
U402	1201-001299	IC-POWER Amp,RF-K,8P,SINGLE,8V
U408	1201-001411	IC-POWER Amp
U960	1202-001022	IC-VOLTAGE COMP,SSOP,8P,110MIL,7V
U801,U803,U805,U806,U810,U811	1203-001285	IC-SWITCH VOL REG,SOT-23,5P,150MIL

REFERENCE	SEC.CODE	DESCRIPTIONS
U809	1203-001511	IC-Reset,SOT-23,3P
U253	1203-001515	IC-BATTERY,SSOP,16P,150MIL
U804	1203-001592	IC-VOLTAGE REGULATOR,SOT-23,5P
U812	1203-001702	IC-DC/DC CONVERTER,SOP,10P,112MIL
U102	1203-001740	IC-DC/DC CONVERTER,SOP,16P,150MIL
U301	1204-001006	IC-IP SYSTEM,SOP,20P,205MIL
U300,U305	1205-001307	IC-MIXER,SOP,16P,197MIL
U200	1205-001643	IC-KERNEL
U950	1205-001697	IC-VOCODER,QFP,80P,3V
U202	1206-001009	IC-TIMER,SOP,8P,173MIL
U603	1209-001220	IC-PLL SYSTEM,SOP,20P,173MIL
U500	1209-001233	IC-PLL SYSTEM,SSOP,28P
TH1	1404-001005	THERMISTOR,47Kohm,5%,4054K,20mW
D179	1405-001018	Varistors
D103,D104,D819	1405-001019	Varistors
R184	2007-000070	R-CHIP,0ohm,5%,1/16W,DA,TP,1608
R105,R129,R135,R163,R177,R178,R179,R180,R181 R182,R183,R185,R186,R187,R188,R621,R653	2007-000138	R-CHIP,100ohm,5%,1/16W,DA,TP,1005
R644,R978	2007-000139	R-CHIP,220ohm,5%,1/16W,DA,TP,1005
R220,R221,R264,R529,R611,R646,R811,R951,R954	2007-000140	R-CHIP,1Kohm,5%,1/16W,DA,TP,1005
R640	2007-000141	R-CHIP,2.2Kohm,5%,1/16W,DA,TP,1005
R309,R609	2007-000142	R-CHIP,2.7Kohm,5%,1/16W,DA,TP,1005
R351	2007-000143	R-CHIP,4.7Kohm,5%,1/16W,DA,TP,1005
R606,R628	2007-000145	R-CHIP,6.2Kohm,5%,1/16W,DA,TP,1005
R603	2007-000146	R-CHIP,6.8Kohm,5%,1/16W,DA,TP,1005
R104,R152,R205,R210,R232,R235,R238,R253,R256,R363 R418,R419,R605,R630,R637,R906,R907,R952,R962,R963 R984,R985,R996,R255	2007-000148	R-CHIP,10Kohm,5%,1/16W,DA,TP,1005
R300	2007-000152	R-CHIP,20Kohm,5%,1/16W,DA,TP,1005
R622	2007-000153	R-CHIP,22Kohm,5%,1/16W,DA,TP,1005
R126,R208,R218,R219,R352,R353	2007-000157	R-CHIP,47Kohm,5%,1/16W,DA,TP,1005
R257	2007-000159	R-CHIP,56Kohm,5%,1/16W,DA,TP,1005
R100,R101,R102,R151,R153,R162,R209,R212,R213,R214 R222,R231,R251,R252,R254,R263,R528,R812,R972,R980	2007-000162	R-CHIP,100Kohm,5%,1/16W,DA,TP,1005
R610,R639	2007-000164	R-CHIP,150Kohm,5%,1/16W,DA,TP,1005
R215,R312,R326,R361,R505,R531,R631,R647,R968,R986	2007-000171	R-CHIP,0ohm,5%,1/16W,DA,TP,1005
R308,R500,R501,R502,R503,R504,R517,R524,R527,R601 R602,R607,R633,R638,R650	2007-000172	R-CHIP,10ohm,5%,1/16W,DA,TP,1005
R651,R654	2007-000173	R-CHIP,22ohm,5%,1/16W,DA,TP,1005
R515,R516,R518	2007-000932	R-CHIP,470ohm,5%,1/16W,DA,TP,1005
R130,R136,R417	2007-001119	R-CHIP,680ohm,5%,1/16W,DA,TP,1005
R428	2007-001217	R-CHIP,82ohm,5%,1/16W,DA,TP,1005

REFERENCE	SEC.CODE	DESCRIPTIONS
R304,R623,R625,R627	2007-001288	R-CHIP,18ohm,5%,1/16W,DA,TP,1005
R431	2007-001295	R-CHIP,39ohm,5%,1/16W,DA,TP,1005
R305,R364,R410,R420,R511,R519,R520,R648,R649	2007-001298	R-CHIP,51ohm,5%,1/16W,DA,TP,1005
R445	2007-001301	R-CHIP,68ohm,5%,1/16W,DA,TP,1005
R404,R406,R617	2007-001305	R-CHIP,120ohm,5%,1/16W,DA,TP,1005
R430,R432	2007-001306	R-CHIP,150ohm,5%,1/16W,DA,TP,1005
R306,R311,R316,R317	2007-001307	R-CHIP,180ohm,5%,1/16W,DA,TP,1005
R613,R805	2007-001308	R-CHIP,200ohm,5%,1/16W,DA,TP,1005
R128,R134	2007-001311	R-CHIP,270ohm,5%,1/16W,DA,TP,1005
R356,R357,R365,R525,R526,R950,R953	2007-001313	R-CHIP,330ohm,5%,1/16W,DA,TP,1005
R612	2007-001316	R-CHIP,820ohm,5%,1/16W,DA,TP,1005
R507,R512	2007-001317	R-CHIP,910ohm,5%,1/16W,DA,TP,1005
R629	2007-001323	R-CHIP,3Kohm,5%,1/16W,DA,TP,1005
R354,R608	2007-001325	R-CHIP,3.3Kohm,5%,1/16W,DA,TP,1005
R618,R643	2007-001339	R-CHIP,180Kohm,5%,1/16W,DA,TP,1005
R413	2007-002797	R-CHIP,560ohm,5%,1/16W,DA,TP,1005
R301	2007-003020	R-CHIP,4.3Kohm,5%,1/16W,DA,TP,1005
R427,R429	2007-003030	R-CHIP,91ohm,5%,1/16W,DA,TP,1005
R407	2007-007001	R-CHIP,3.9Kohm,5%,1/16W,DA,TP,1005
R521	2007-007090	R-CHIP,11Kohm,5%,1/16W,DA,TP,1005
R510	2007-007095	R-CHIP,390ohm,5%,1/16W,DA,TP,1005
R362	2007-007096	R-CHIP,160ohm,5%,1/16W,DA,TP,1005
R132,R137,R259	2007-007107	R-CHIP,100Kohm,1%,1/16W,DA,TP,1005
R265	2007-007133	R-CHIP,300ohm,1%,1/16W,DA,TP,1005
R261	2007-007135	R-CHIP,18K,1%,1/16W,DA,TP,1005
R434,R619,R900,R903,R905	2007-007137	R-CHIP,1.2Kohm,1%,1/16W,DA,TP,1005
R522	2007-007141	R-CHIP,240ohm,5%,1/16W,DA,TP,1005
R904,R987	2007-007142	R-CHIP,10Kohm,1%,1/16W,DA,TP,1005
R514,R523,R626,R645,R652	2007-007195	R-CHIP,3.9ohm,5%,1/16W,DA,TP,1005
R262,R416	2007-007309	R-CHIP,12Kohm,1%,1/16W,DA,TP,1005
R266,R414	2007-007310	R-CHIP,8.2Kohm,1%,1/16W,DA,TP,1005
R412	2007-007311	R-CHIP,22Kohm,1%,1/16W,DA,TP,1005
R409	2007-007316	R-CHIP,3.3Kohm,1%,1/16W,DA,TP,1005
R200,R201,R202,R203	2007-007317	R-CHIP,2.2Kohm,1%,1/16W,DA,TP,1005
R121,R127,R133,R303,R313,R415,R994,R995	2007-007318	R-CHIP,1Kohm,1%,1/16W,DA,TP,1005
R435,R655	2007-007588	R-CHIP,1.8Kohm,1%,1/16W,DA,TP,1005
R258	2007-007590	R-CHIP,82Kohm,1%,1/16W,DA,TP,1005
R260	2007-007592	R-CHIP,270K,1%,1/16W,DA,TP,1005
R979,R981	2007-007627	R-CHIP,16Kohm,1%,1/16W,DA,TP,1005
R983	2007-007630	R-CHIP,14Kohm,1%,1/16W,DA,TP,1005
R355,R902	2007-007788	R-CHIP,332ohm,1%,1/16W,DA,TP,1005
C524	2203-000151	C-CHIP,1.5nF,5%,50V,TP,2012

REFERENCE	SEC.CODE	DESCRIPTIONS
C215,C216,C217,C218,C303,C318,C337,C362,C368,C411,C416 C501,C502,C503,C508,C509,C516,C521,C623,C628,C635,C642	2203-000233	C-CHIP,100pF,5%,50V,TP,1005
C348,C512	2203-000278	C-CHIP,10pF,5%,50V,TP,1005
C445	2203-000311	C-CHIP,120pF,5%,50V,TP,1005
C310,C539,C604	2203-000330	C-CHIP,12pF,5%,50V,TP,1005
C625	2203-000359	C-CHIP,150pF,5%,50V,TP,1005
C316,C431,C514,C951,C958,C959,C968,C969,C970,C991,C993	2203-000386	C-CHIP,15pF,5%,50V,TP,1005
C127,C135,C207,C311,C351,C352,C354,C356,C361,C371,C373 C375,C379,C504,C522,C621,C627,C637,C641,C966,C967	2203-000438	C-CHIP,1nF,10%,50V,TP,1005
C624	2203-000455	C-CHIP,1nF,5%,50V,TP,2012
C409	2203-000585	C-CHIP,220pF,10%,50V,TP,1005
C950,C956	2203-000604	C-CHIP,22nF,10%,25V,TP,1608
C305,C330,C374,C376,C378,C415,C505,C506,C515,C611,C617	2203-000628	C-CHIP,22pF,5%,50V,TP,1005
C405,C418,C423,C428,C454,C457,C458,C459,C460,C510,C511 C517,C520,C529,C530,C632,C633,C639	2203-000679	C-CHIP,27pF,5%,50V,TP,1005
C346	2203-000696	C-CHIP,2pF,5%,50V,TP,1005
C128,C136,C609	2203-000725	C-CHIP,3.9nF,10%,50V,TP,1005
C614	2203-000800	C-CHIP,33nF,10%,25V,TP,1608
C302,C306,C319	2203-000812	C-CHIP,33pF,5%,50V,TP,1005
C610	2203-000836	C-CHIP,390pF,10%,50V,TP,1005
C325	2203-000854	C-CHIP,39pF,5%,50V,TP,1005
C304,C357,C810,C819,C862,C867	2203-000940	C-CHIP,470pF,10%,50V,TP,1005
C321,C350,C353,C377,C647	2203-001017	C-CHIP,4pF,5%,50V,TP,1005
C1004	2203-001033	C-CHIP,5.6nF,10%,25V,TP,1005
C518,C519	2203-001072	C-CHIP,56pF,5%,50V,TP,1005
C165,C166,C167,C168	2203-001101	C-CHIP,6.8nF,10%,25V,1005
C507,C513	2203-001153	C-CHIP,68pF,5%,50V,TP,1005
C300,C307,C315,C540,C606	2203-001178	C-CHIP,6pF,5%,50V,TP,1005
C314,C339	2203-001201	C-CHIP,7pF,5%,50V,TP,1005
C410,C430	2203-001221	C-CHIP,820pF,10%,50V,TP,1005
C613	2203-001259	C-CHIP,8pF,5%,50V,TP,1005
C169	2203-001402	C-CHIP,220nF,+80-20%,16V,TP,1608
C523	2203-001408	C-CHIP,270pF,5%,50V,TP,1608
C429	2203-002525	C-CHIP,560pF,10%,50V,TP,1005
C313	2203-002668	C-CHIP,0.5pF,0.1pF,50V,TP,1005
C317,C954,C964,C990,C996,C997,C1008	2203-003054	C-CHIP,9pF,5%,50V,TP,1005
C341	2203-005050	C-CHIP,1.8pF,5%,50V,TP,1005
C210,C528,C603,C644	2203-005054	C-CHIP,4.7pF,5%,50V,TP,1005
C100,C102,C106,C107,C117,C126,C134,C141,C201,C204,C205 C206,C214,C254,C258,C259,C260,C261,C358,C363,C372,C500 C608,C618,C634,C851,C853,C855,C869,C874,C901,C902,C903 C904,C905,C961,C971,C972,C973,C974,C1005	2203-005061	C-CHIP,100nF,+80-20%,16V,TP,1005

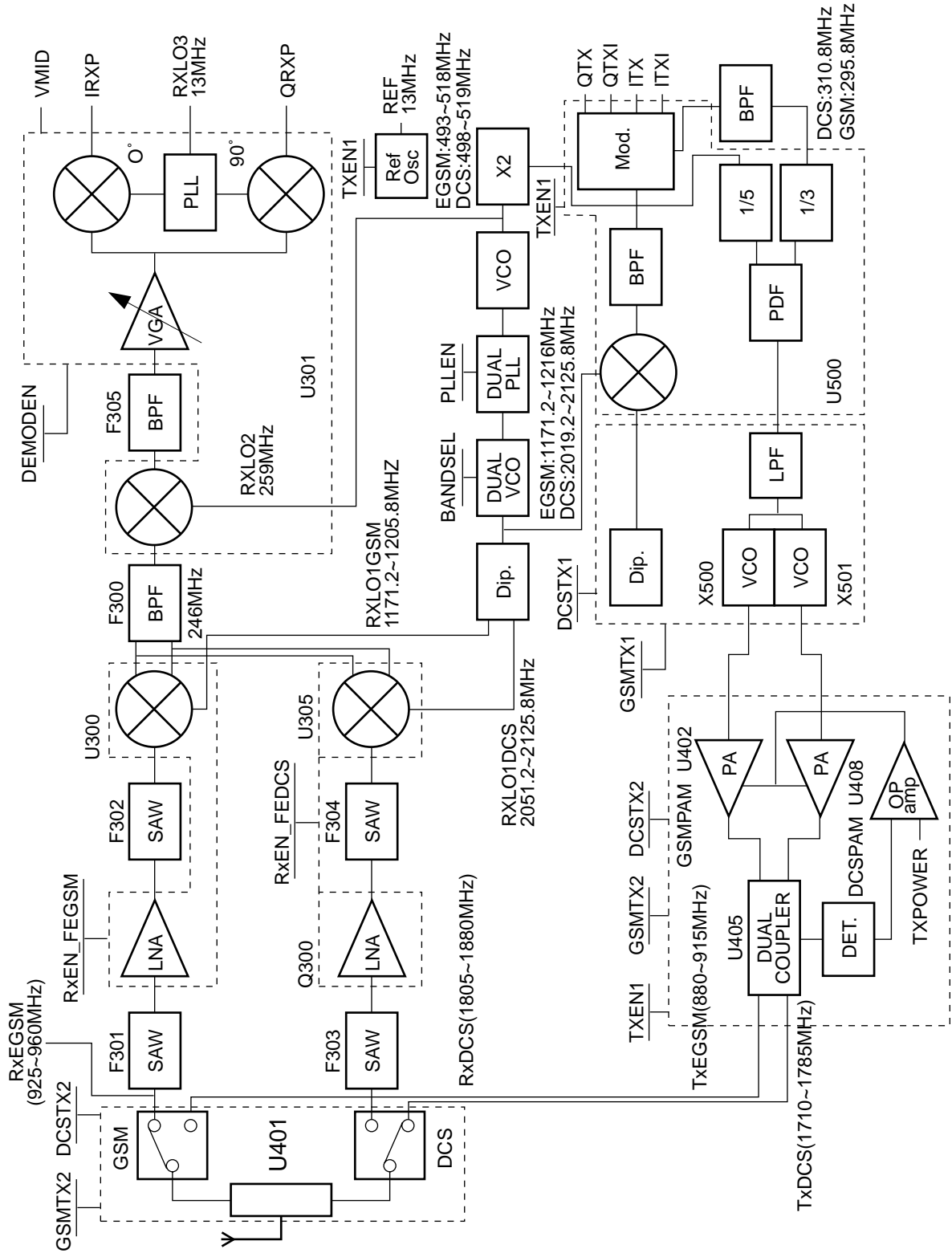
REFERENCE	SEC.CODE	DESCRIPTIONS
C170,C171,C172,C173,C257,C364,C533,C534,C536,C638 C669,C800,C830,C831,C872	2203-005065	C-CHIP,1uF,+80-20%,10V,TP,1608
C177,C342,C645	2203-005158	C-CHIP,2.2pF,5%,50V,TP,1005
C629	2203-005195	C-CHIP,10nF,5%,25V,TP,3216
C349	2203-005234	C-CHIP,1.2pF,5%,50V,TP,1005
C602,C646	2203-005444	C-CHIP,3pF,5%,50V,TP,1005
C178,C179,C180,C181	2203-005480	C-CHIP,33nF,10%,10V,TP,1005
C957	2203-005481	C-CHIP,47nF,10%,10V,TP,1005
C365,C616	2203-005562	C-CHIP,10uF,+80-20%,10V,TP,3216
C108,C131,C139,C200,C211,C262,C333,C359,C360,C433 C435,C531,C600,C601,C605,C607,C612,C615,C620,C622 C626,C630,C636,C801,C828,C850,C852,C854,C859,C870 C979,C1006,C1007	2203-005607	C-CHIP,10nF,10%,16V,TP,1005
C464,C871	2404-001083	Cap-Tantal,220uF,6.3V,20%,TP,7125
C203	2404-001086	Cap-Tantal,4.7uF,6.3V,20%,TP,2012
C103,C104,C805,C806,C816,C817,C826,C827,C832,C845 C860,C861,C868	2404-001105	Cap-Tantal,10uF,6.3V,20%,TP,2012
C873	2404-001152	Cap-Tantal , 220uF,20%,6.3V
C953	2404-001162	Cap-Tantal,47uF
C253	2404-001164	Cap-Tantal, 10uF,20%,16V
L126,L128	2703-000217	Inductor,470uH/10%,2012
L127,L129	2703-001071	Inductor,330uH/10%,2012
L302	2703-001172	Inductor,100nH/5%,1608
L401	2703-001174	Inductor,33nH/5%,1608
L607	2703-001178	Inductor,3.3nH/0.3nH,1005
L327	2703-001179	Inductor,10nH/5%,1005
L175	2703-001290	Inductor,2.7nH/0.3nH,1608
L502,L503	2703-001308	Inductor,68nH/5%,1608
L177,L308,L600	2703-001409	Inductor,12nH/10%,1005
L320	2703-001544	Inductor,39nH/5%,1608
L250	2703-001595	Inductor,47nH/5%,1005
L300	2703-001685	Inductor,82nH/5%,1608
L326,L402	2703-001708	Inductor,5.6nH/5%,1005
L800	2703-001716	Inductor,22uH,1608
L323,L500	2703-001722	Inductor,18nH/5%,1005
L321,L322,L405,L406,L504,L505	2703-001723	Inductor,33nH/5%,1005
L507	2703-001726	Inductor,27nH/5%,1005
L324,L328,L329,L602	2703-001727	Inductor,22nH/5%,1005
L604	2703-001728	Inductor,1.5nH/0.3nH,1005
L301,L303,L501	2703-001732	Inductor,56nH/5%,1608
L305,L310	2703-001733	Inductor,8.2nH/5%,1005
L309,L325	2703-001734	Inductor,6.8nH/5%,1005

REFERENCE	SEC.CODE	DESCRIPTIONS
L306,L319	2703-001735	Inductor,3.9nH/10%,1005
L307,L603,L606	2703-001737	Inductor,2.7nH/0.3nH,1005
L251	2703-001740	Inductor,10uH/20%,1608
L601	2703-001794	Inductor,120nH/2%,1608
L318	2703-001798	Inductor, 2.2nH/5%,1005
L801	2703-001904	Inductor,4.7mH
X201	2801-003847	Crystal
X600	2806-001190	DUAL VCO,1171~1216MHz,3V,8mA,TP
X501	2806-001194	DCS TX VCO
X500	2806-001199	GSM TX VCO
X601	2809-001220	VCTCXO-13MHz
F305	2903-001203	Ceramic Filter
F303	2904-001093	Filter-SAW,1842.5MHz,75MHz
F300	2904-001146	Filter-SAW-AV,246MHz
F301	2904-001147	Filter-SAW-AV,942.5MHz
F304	2904-001170	DCS Filter
F302	2904-001175	GSM RX SAW
U401	2909-001086	ANTENNA SWITCH,942.5MHz,897.5MHz
F200,F201	3301-001208	Core-Ferrite Bead
J100	3709-001121	SIM CONNECTOR,6P,2.54mm,SMD-S
M950	3710-001105	CONNECTOR-SOCKET,2P,1.27mm,SMD-S
J176	3710-001302	I/F Connector,18P,0.5mm
J151	3710-001428	BTB Connector,24P,0.5mm
J901	3722-001380	Earphone jack,6P
U405	4709-001174	Directional Coupler,890-915/1710-1785MHz
R360,R359,R604,R615,R632,R989,R990,C130,C138,C176 C370,C380,C367,C369,C535,C643,C962,C963,L176,L311,L605		"SOT,NC"
C863	4302-001081	BATT/CAP250uAH 3.3V
J180	GH07-00023A	LCD
motor	GH31-10004A	Vibrator motor
W176	GH39-00041A	Semirigid Cable
PCB	GH41-00065A	SGH-2400 PCB
	GH42-00038A	ANTENNA
	GH59-00067A	KEYPAD ASS'Y
A176	GH71-00156A	ANTENNA CLIP
JIG	GH80-10508A	SGH-2400 TEST JIG
CABLE	GH39-30532A	SGH-2400 TEST JIG CABLE
TA	GH44-30549A	SGH-2400 TRAVEL ADAPTOR(EUROPE)
TA	GH44-30547A	SGH-2400 TRAVEL ADAPTOR(U.K)
TA CABLE	GH39-10504A	SGH-2400 TA CABLE
CLA	GH44-00040A	SGH-2400 CLA
DTC	GH44-00090A	DESK TOP CHARGE

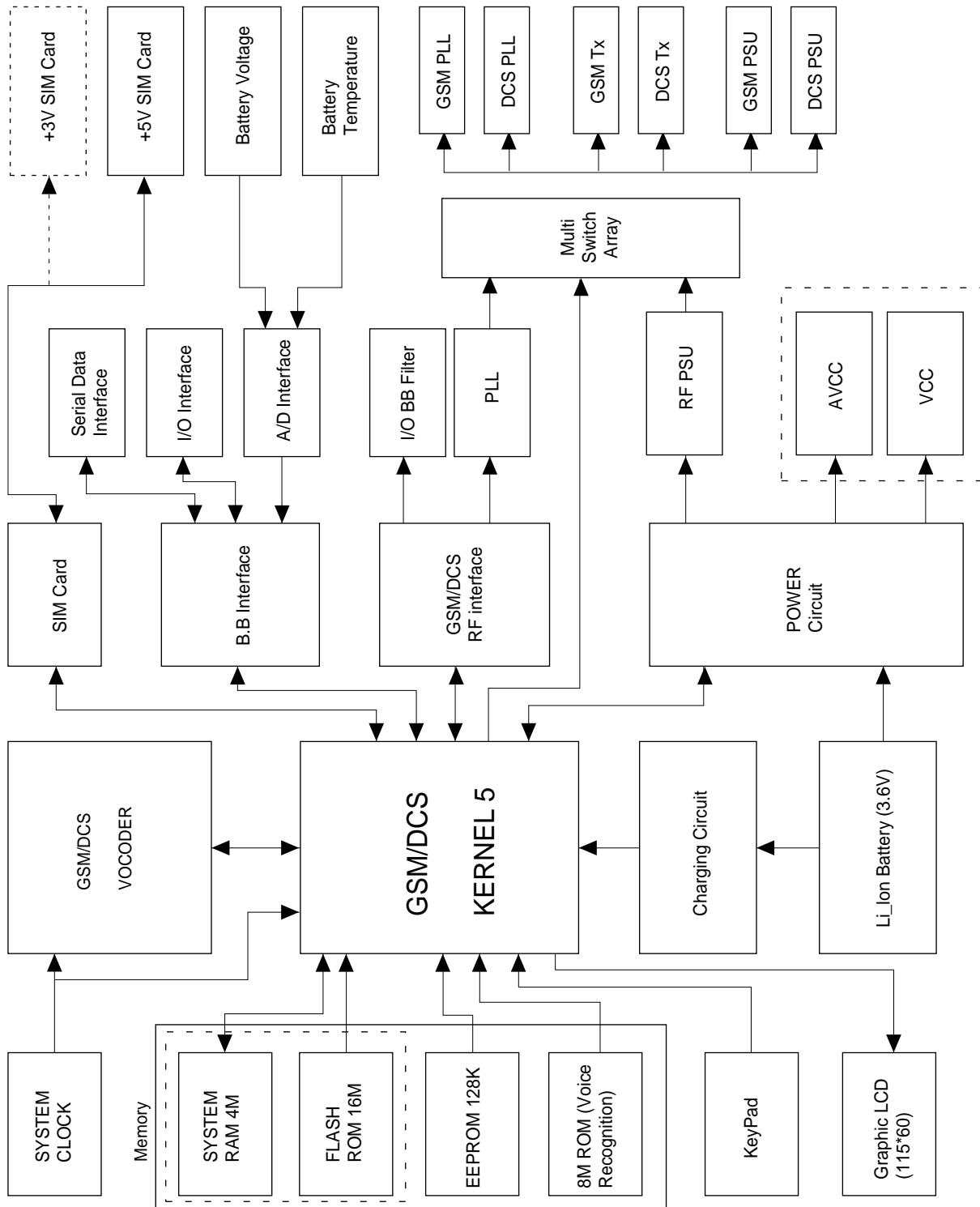
REFERENCE	SEC.CODE	DESCRIPTIONS
SLIM BATTERY		500mAh (GREY)
SLIM BATTERY		500mAh (BLACK)
STANDARD BATTERY	GH43-00143A	750mAh (GREY)
STANDARD BATTERY	GH43-00143B	750mAh (BLACK)
EXTENDED BATTERY		1000mAh (GREY)
EXTENDED BATTERY		1000mAh (BLACK)
ULTRA EXTENDED BATTERY		1600mAh (GREY)
ULTRA EXTENDED BATTERY		1600mAh (BLACK)
DATA KIT	GH96-00774A	SGH-2400 DATA KIT
HFK		HANDS FREE KIT
EAR PHONE	GH96-00830A	EAR PHONE

3 Block Diagrams

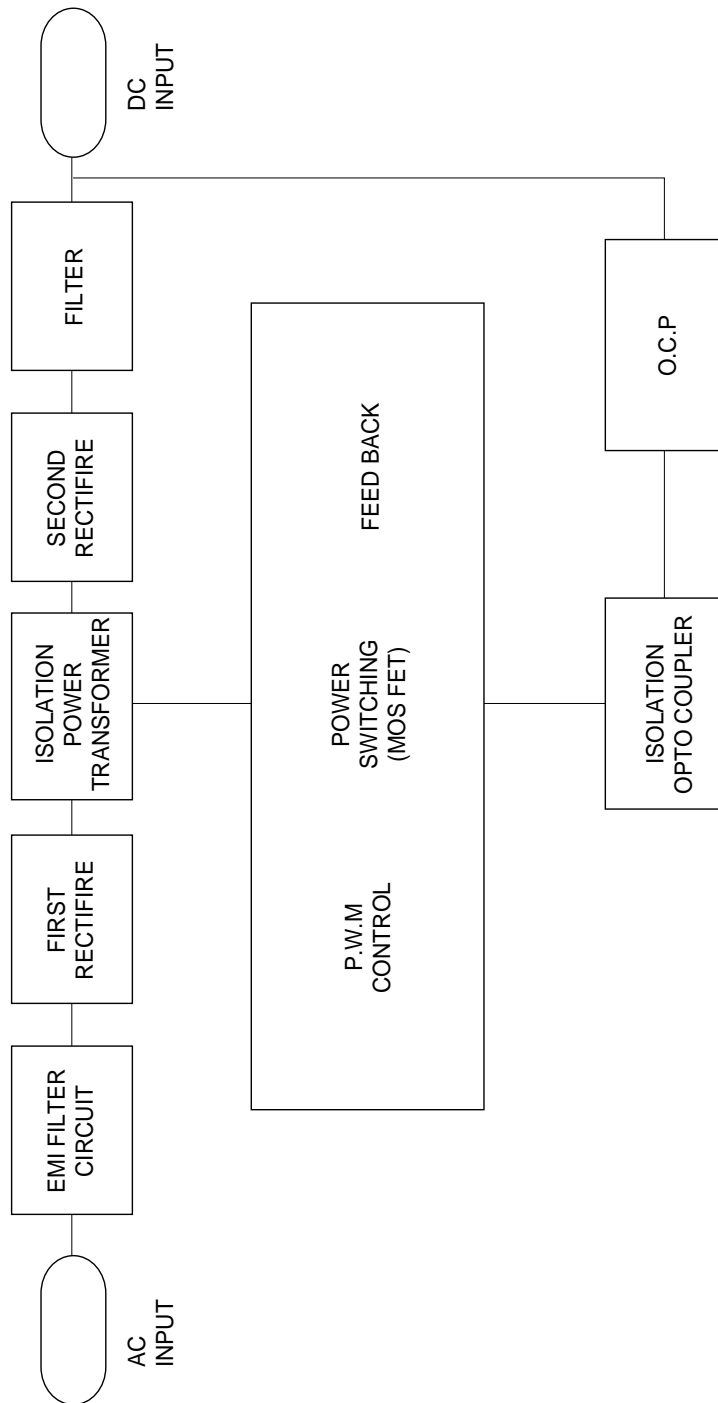
3-1 Main RF



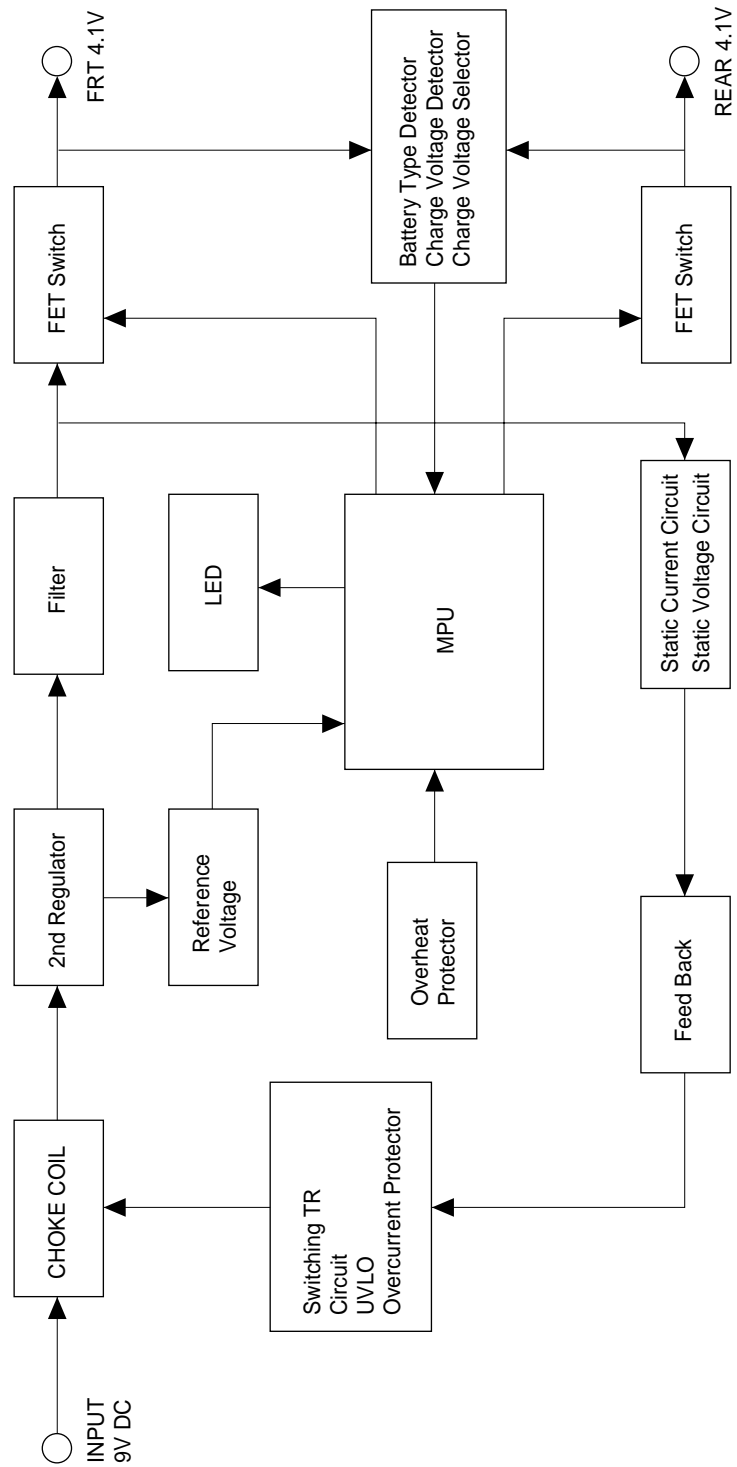
3-2 Main Base Band



3-3 Travel Adapter

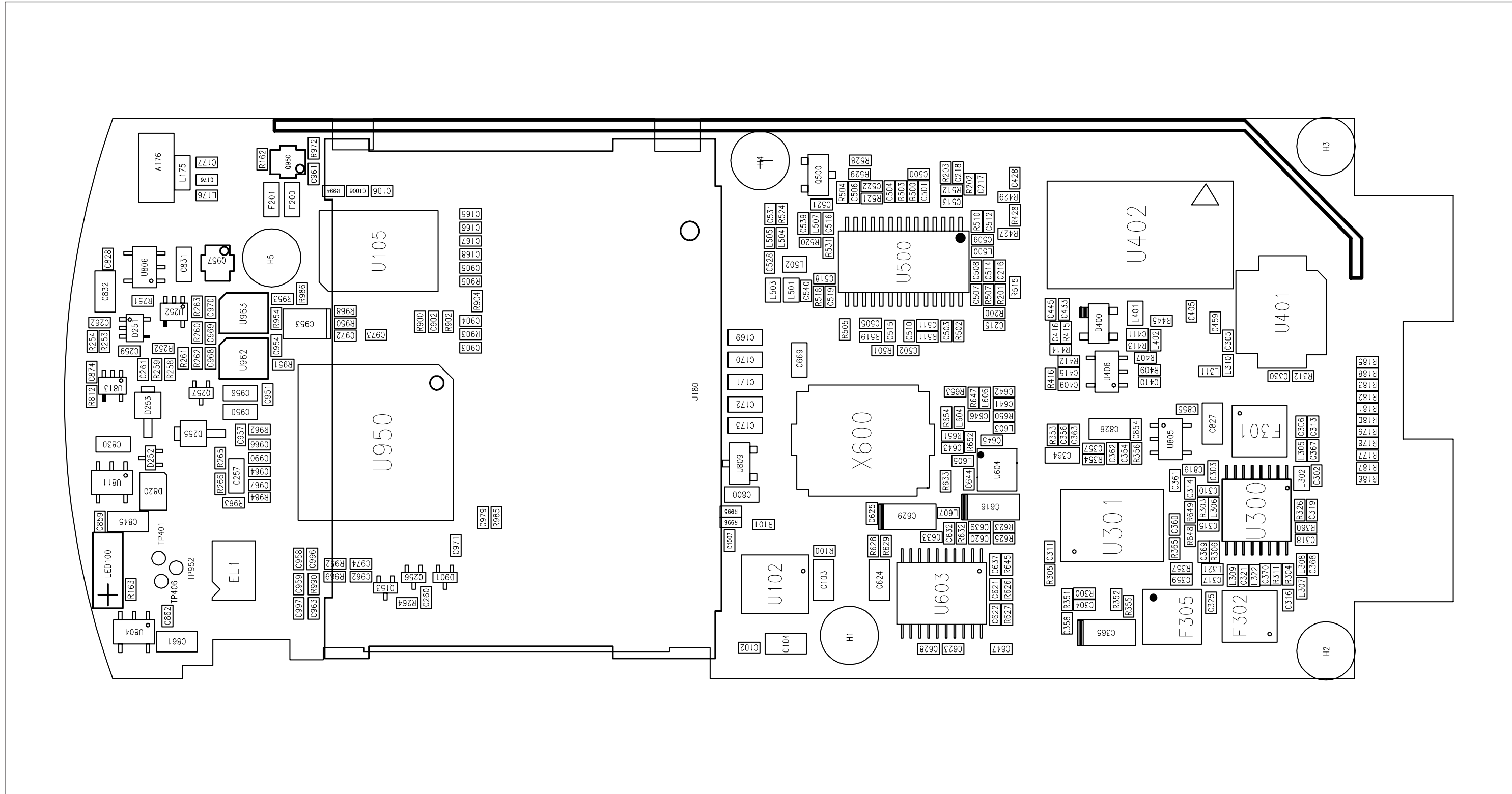


3-4 Desk Top Charger

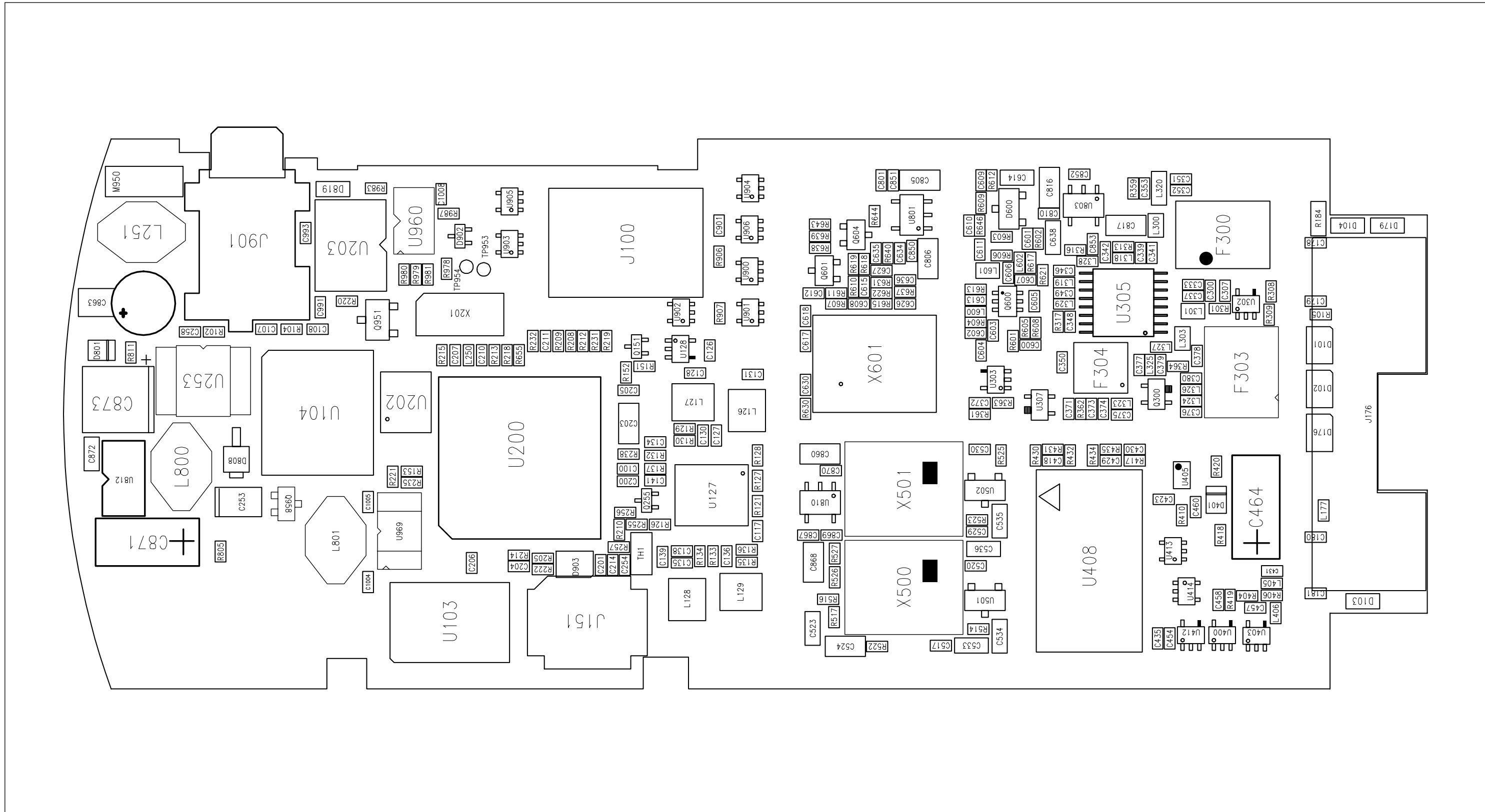


4. PCB Diagrams

4-1 Main Top

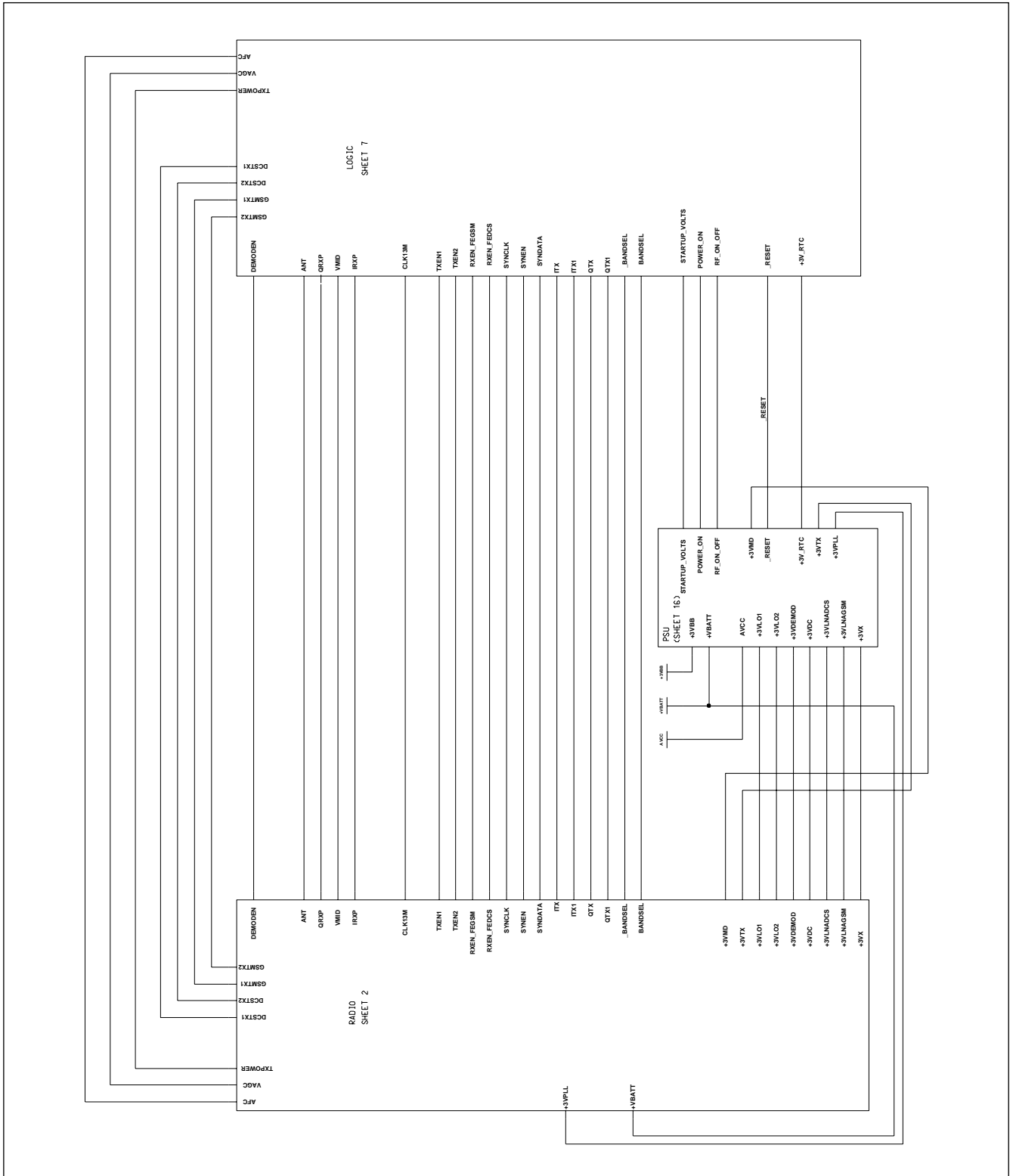


4-2 Main Bottom

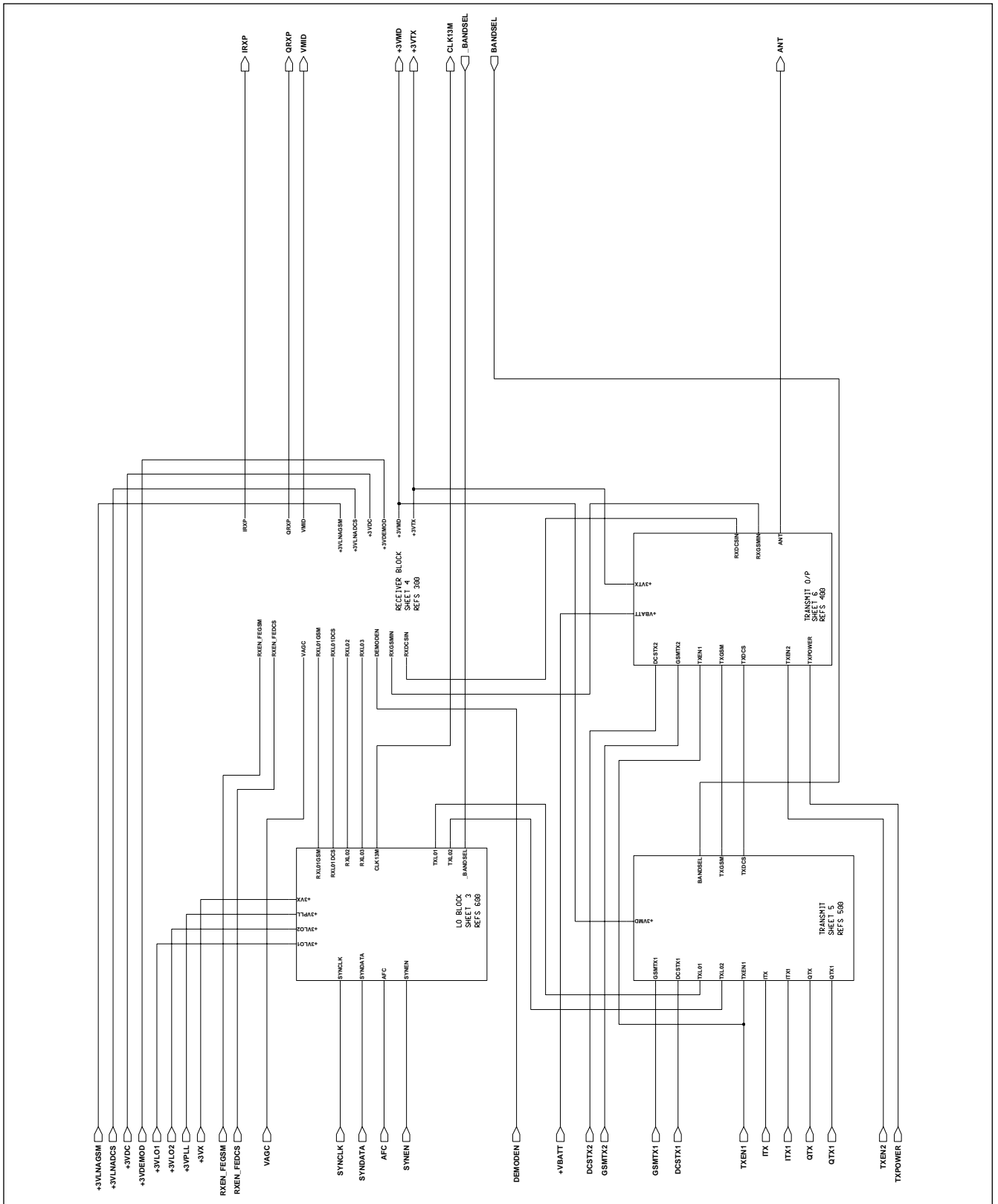


5. Schematic Diagrams

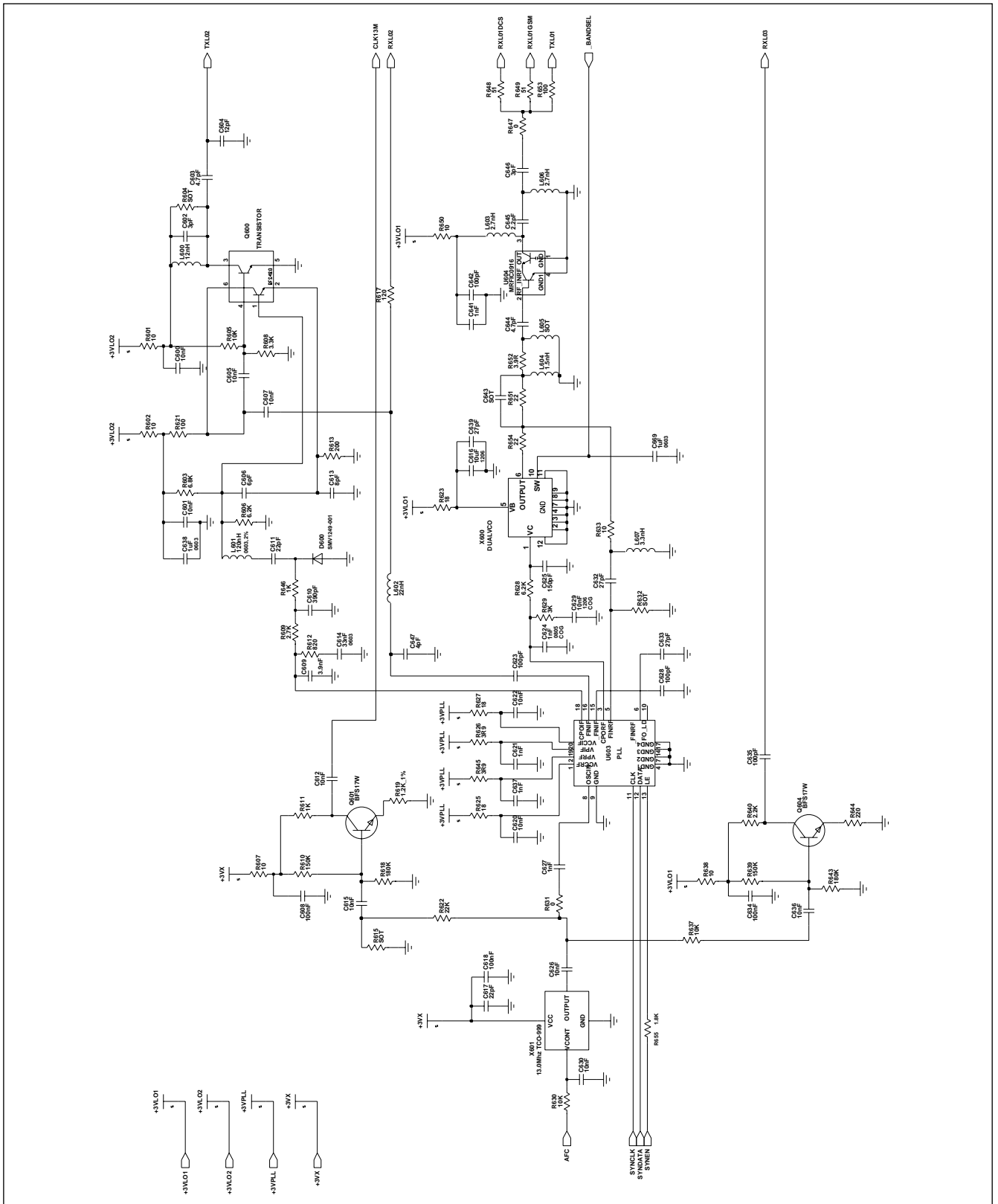
5-1 Top Level



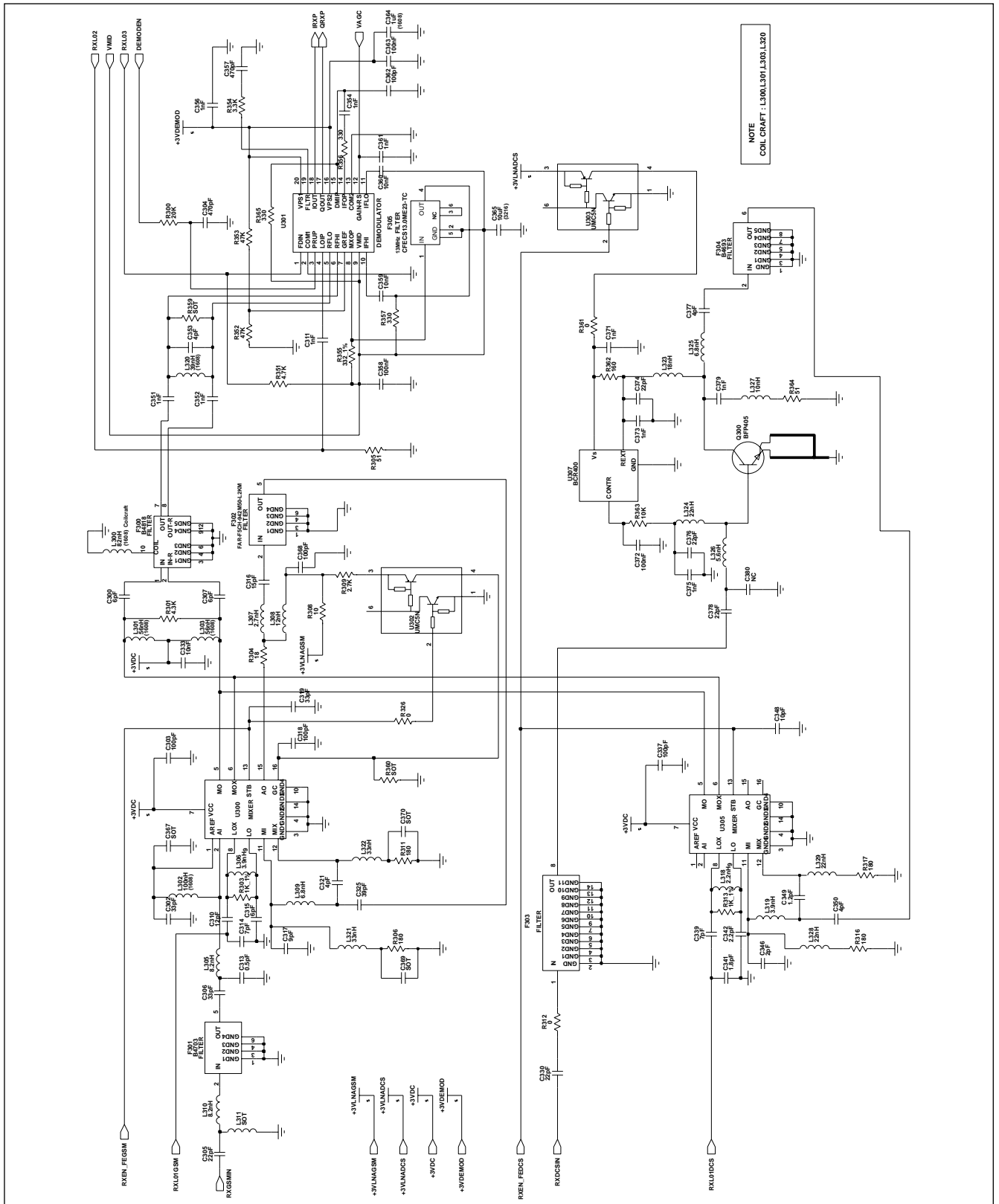
5-2 Radio



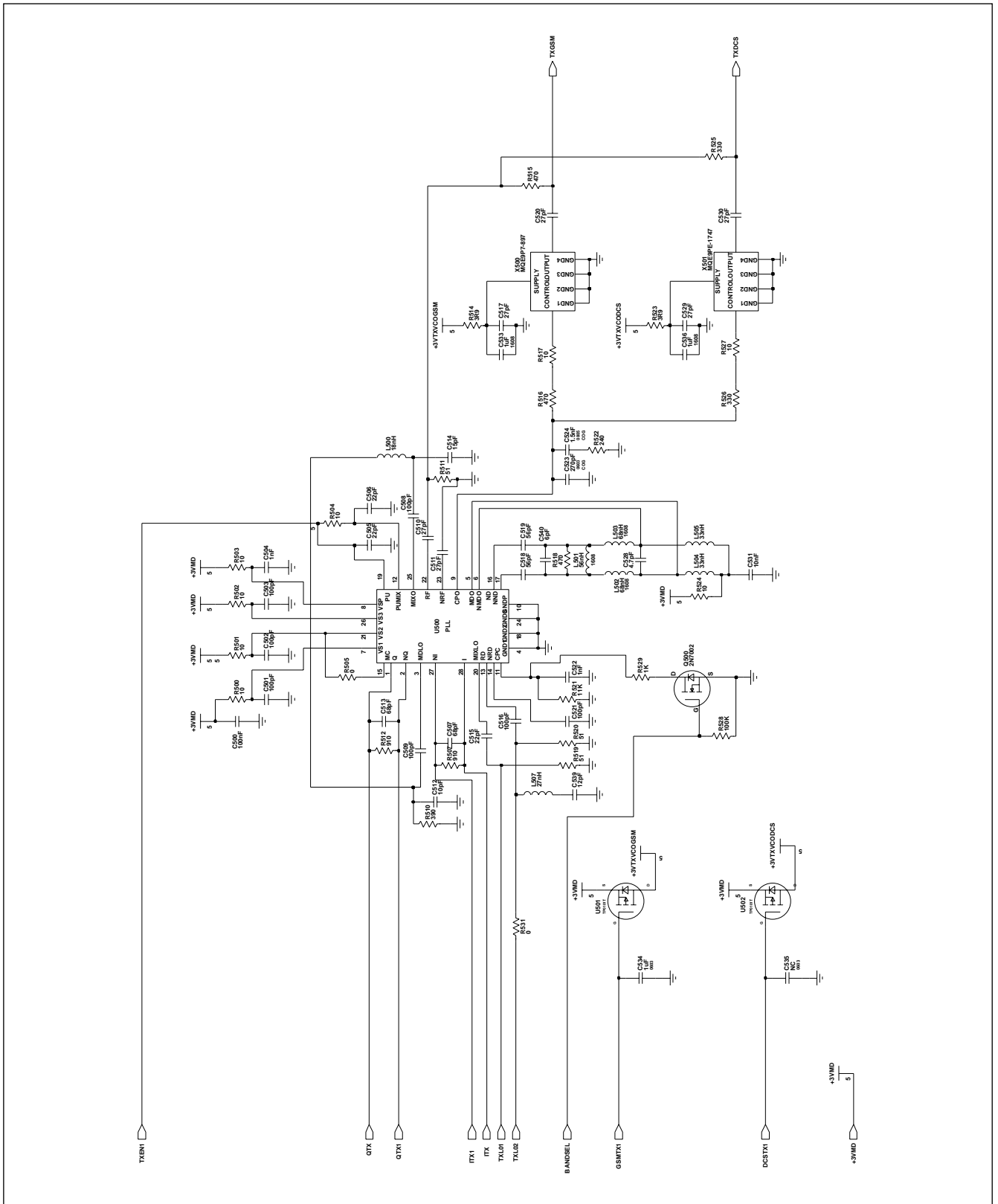
5-3 Main VCO and Local



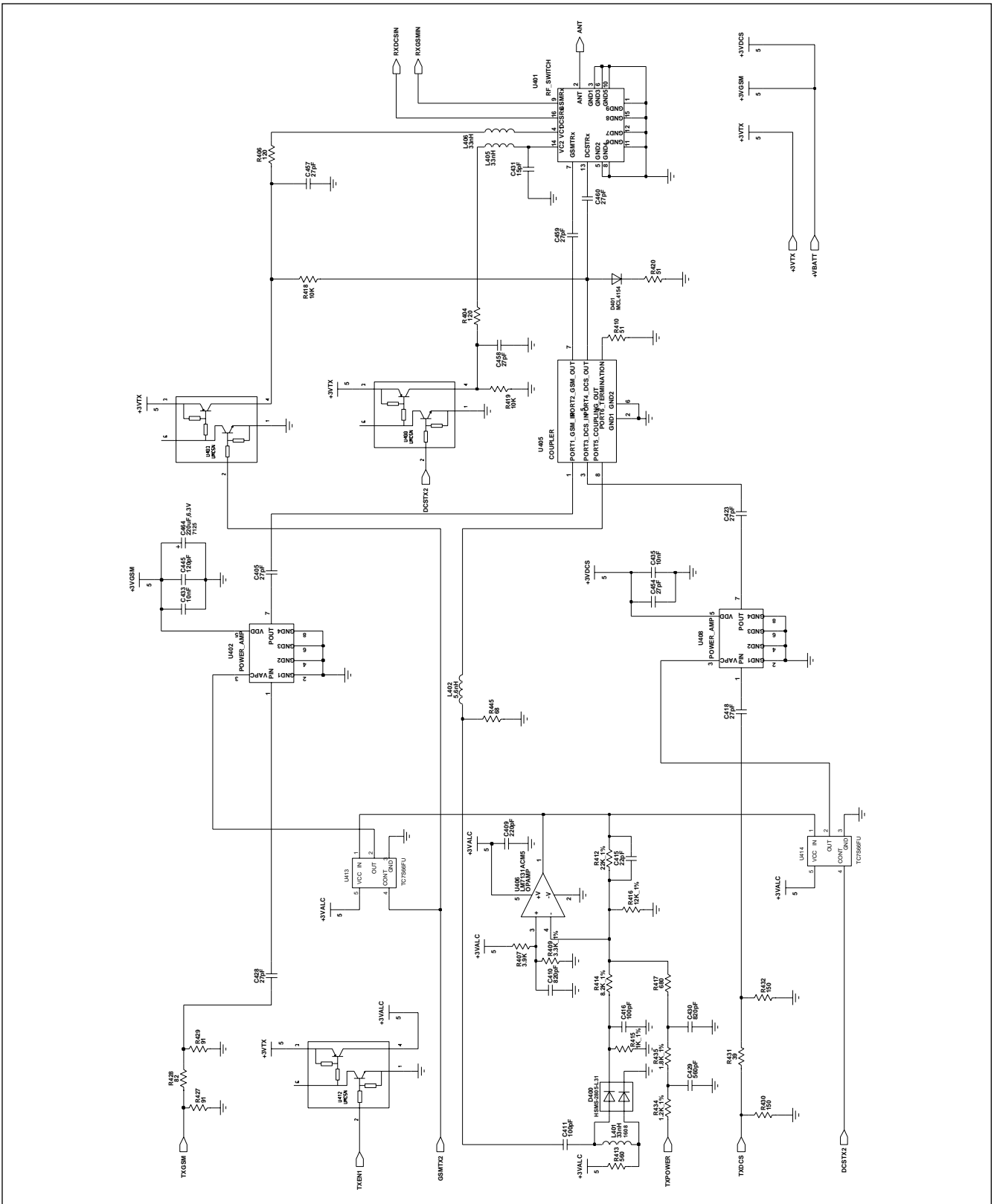
5-4 Receiver



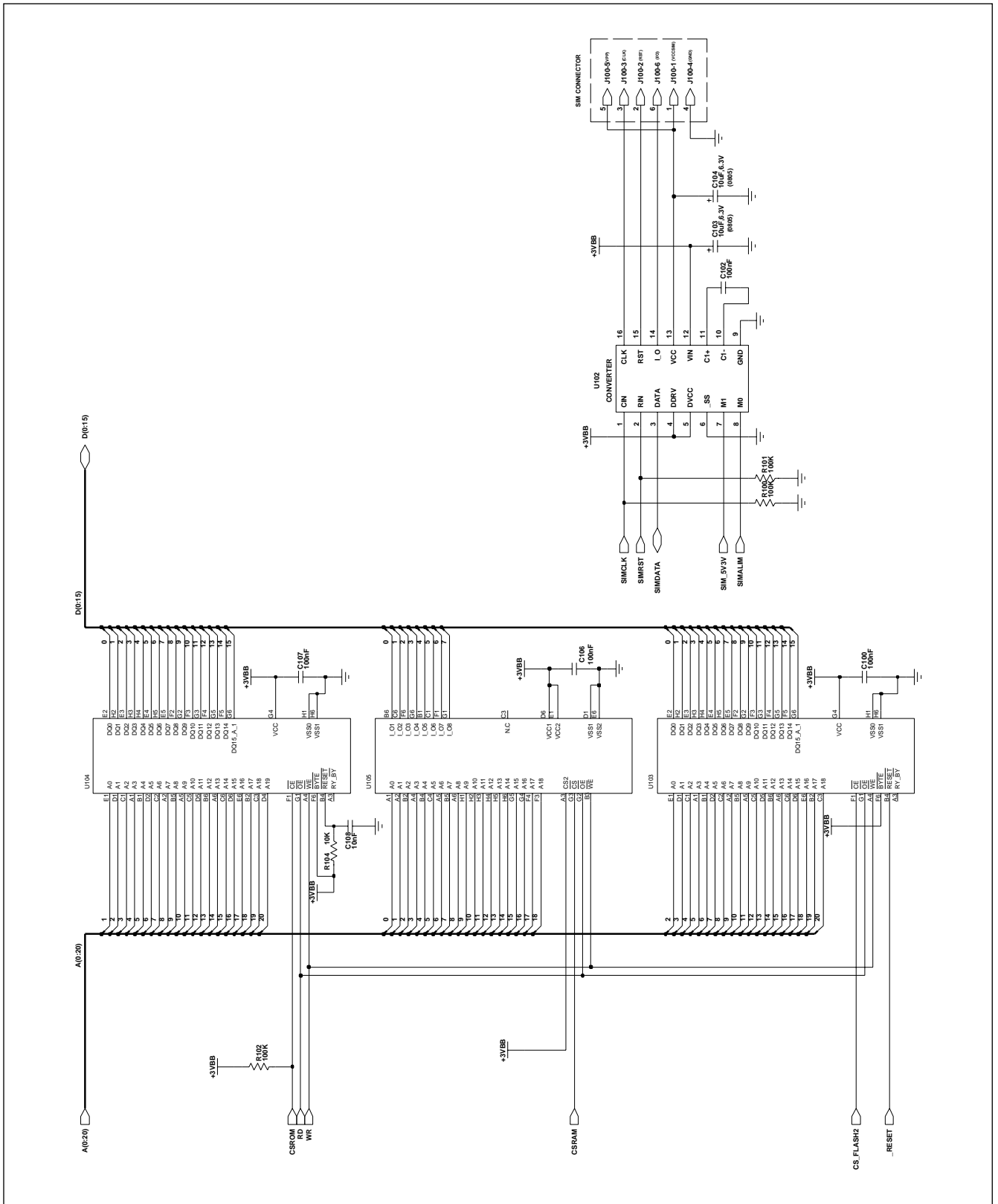
5-5 Modulator & Tx Vco



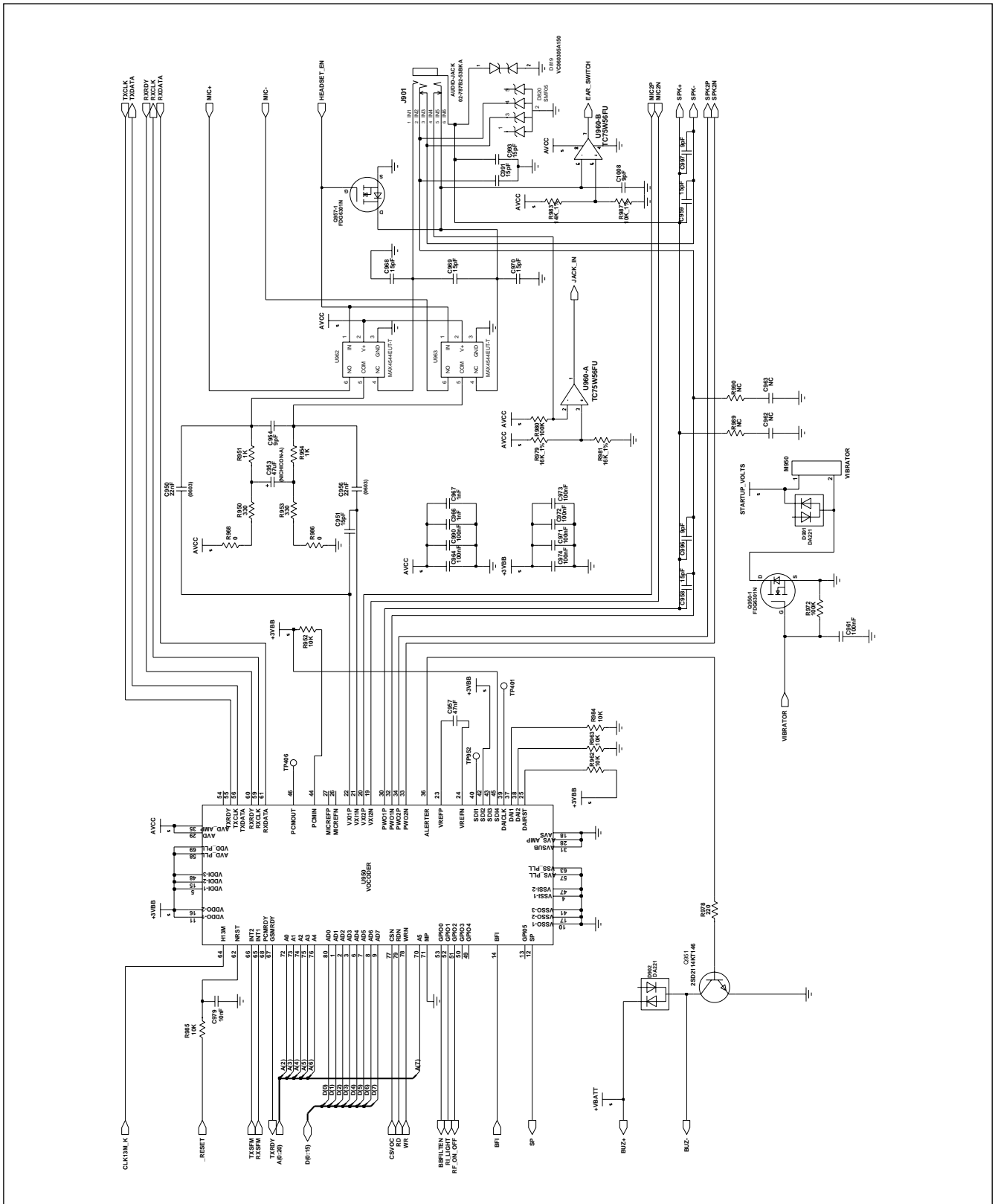
5-6 Transmit Output Stage



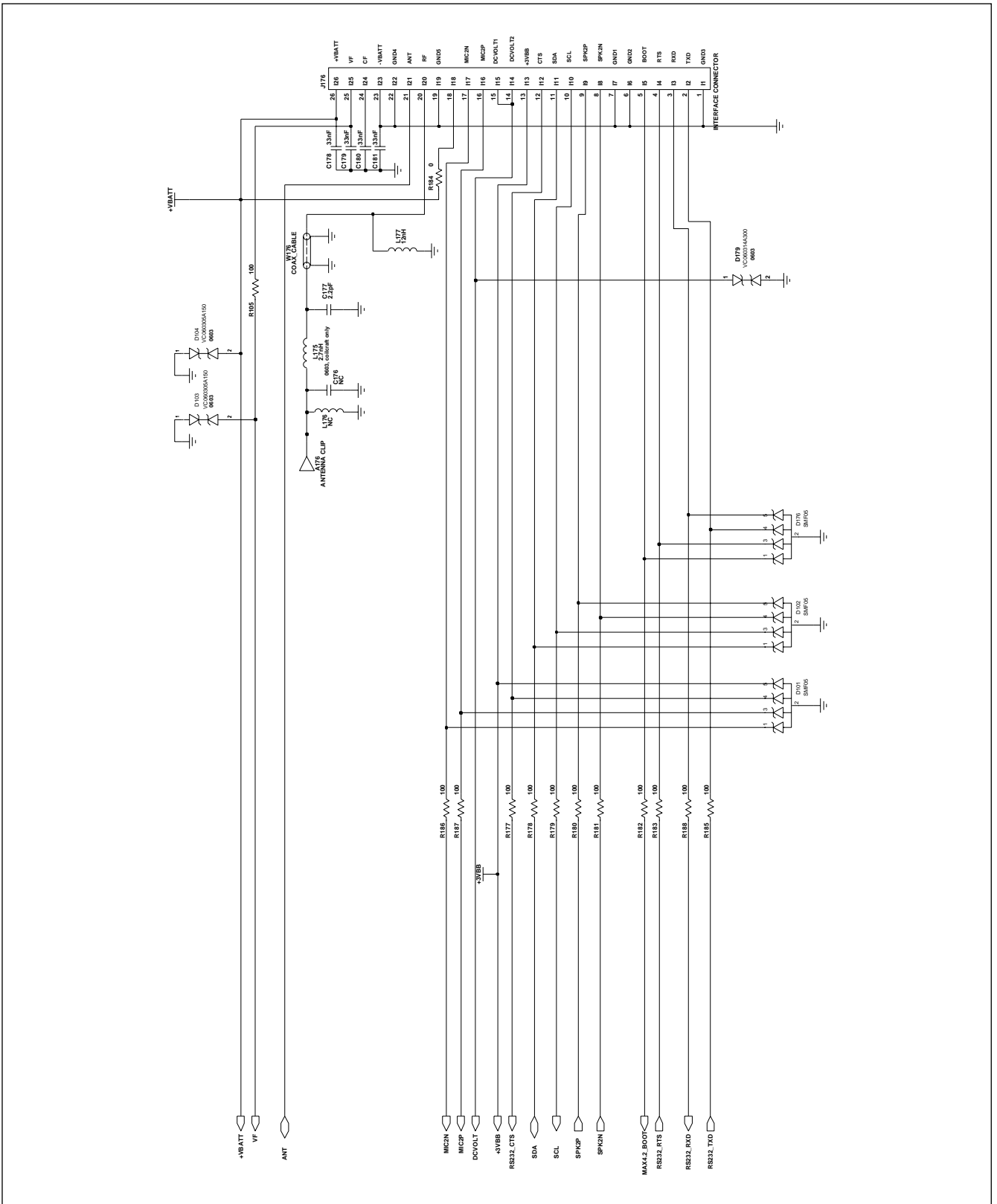
5-8 Memory & SIM Schematic



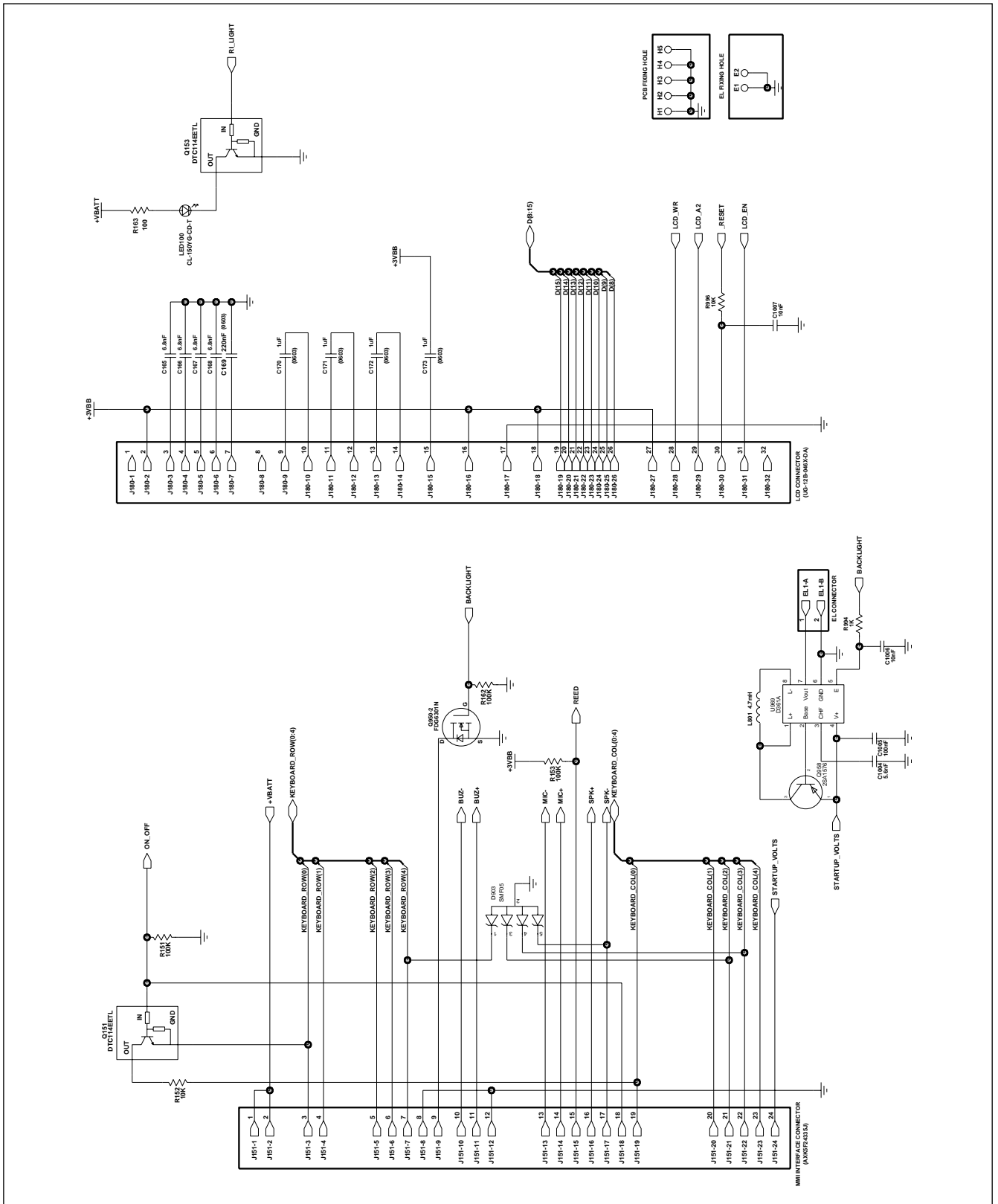
5-9 Vocoder



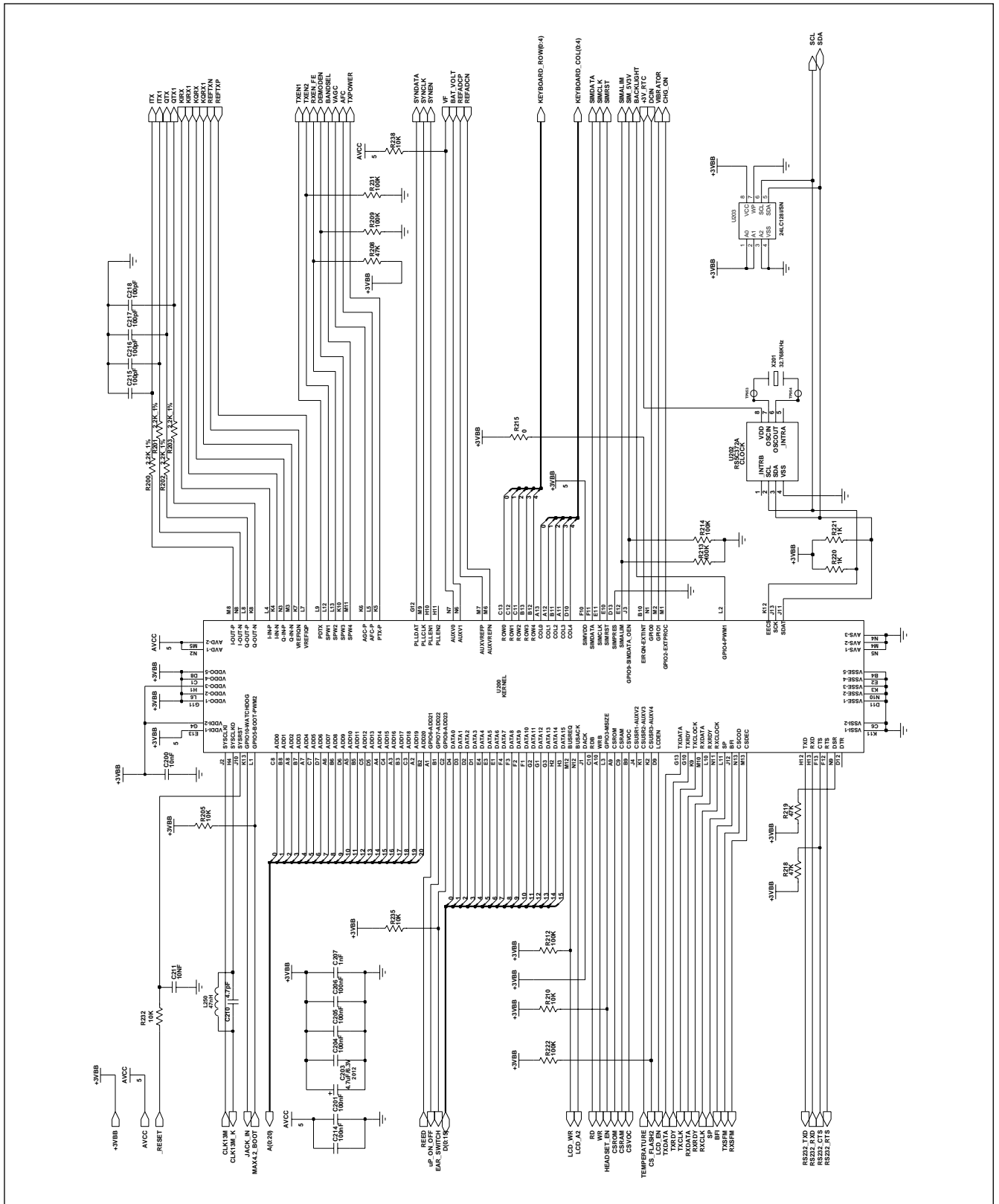
5-10 Interface Connector



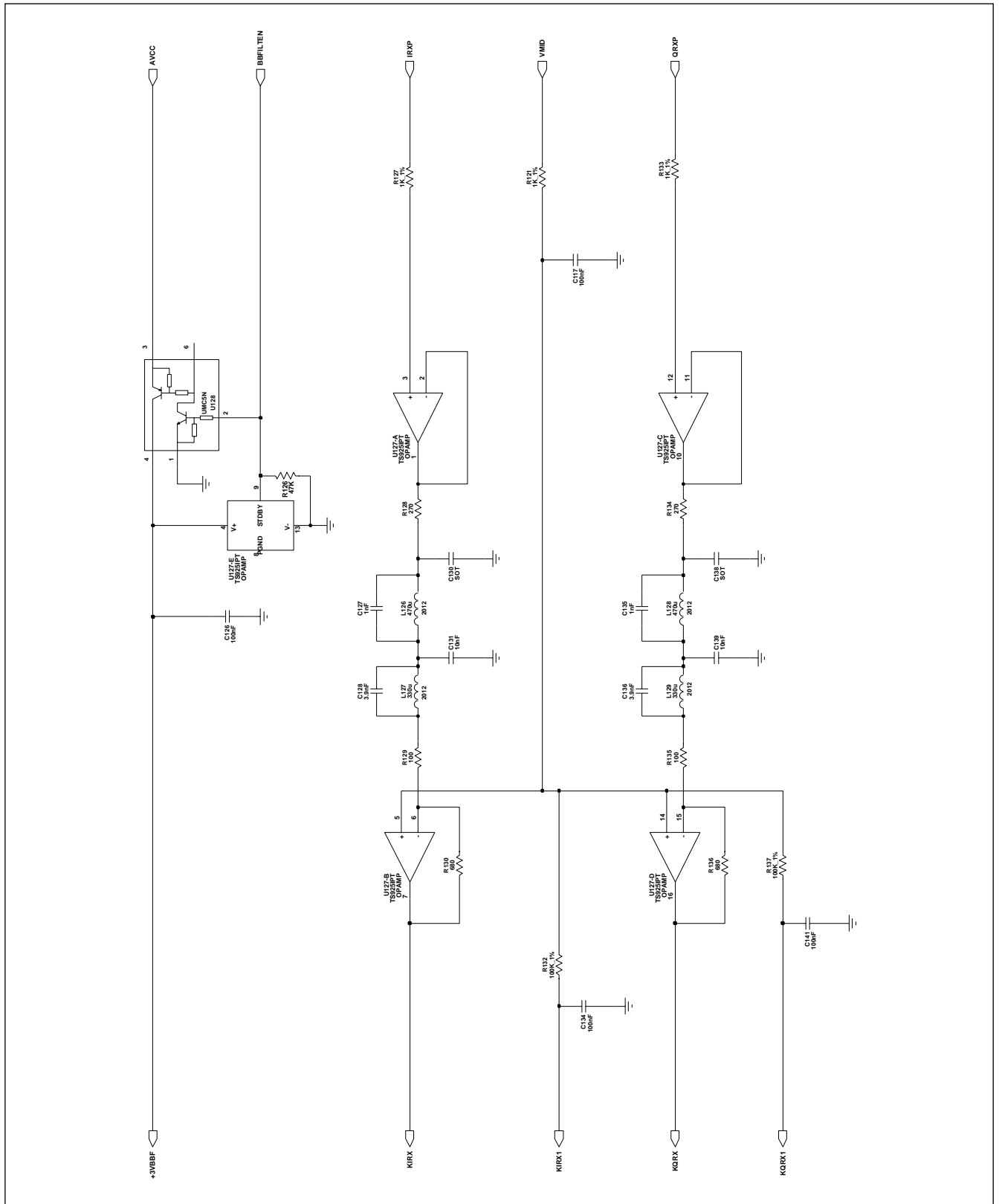
5-11 MMI Interface



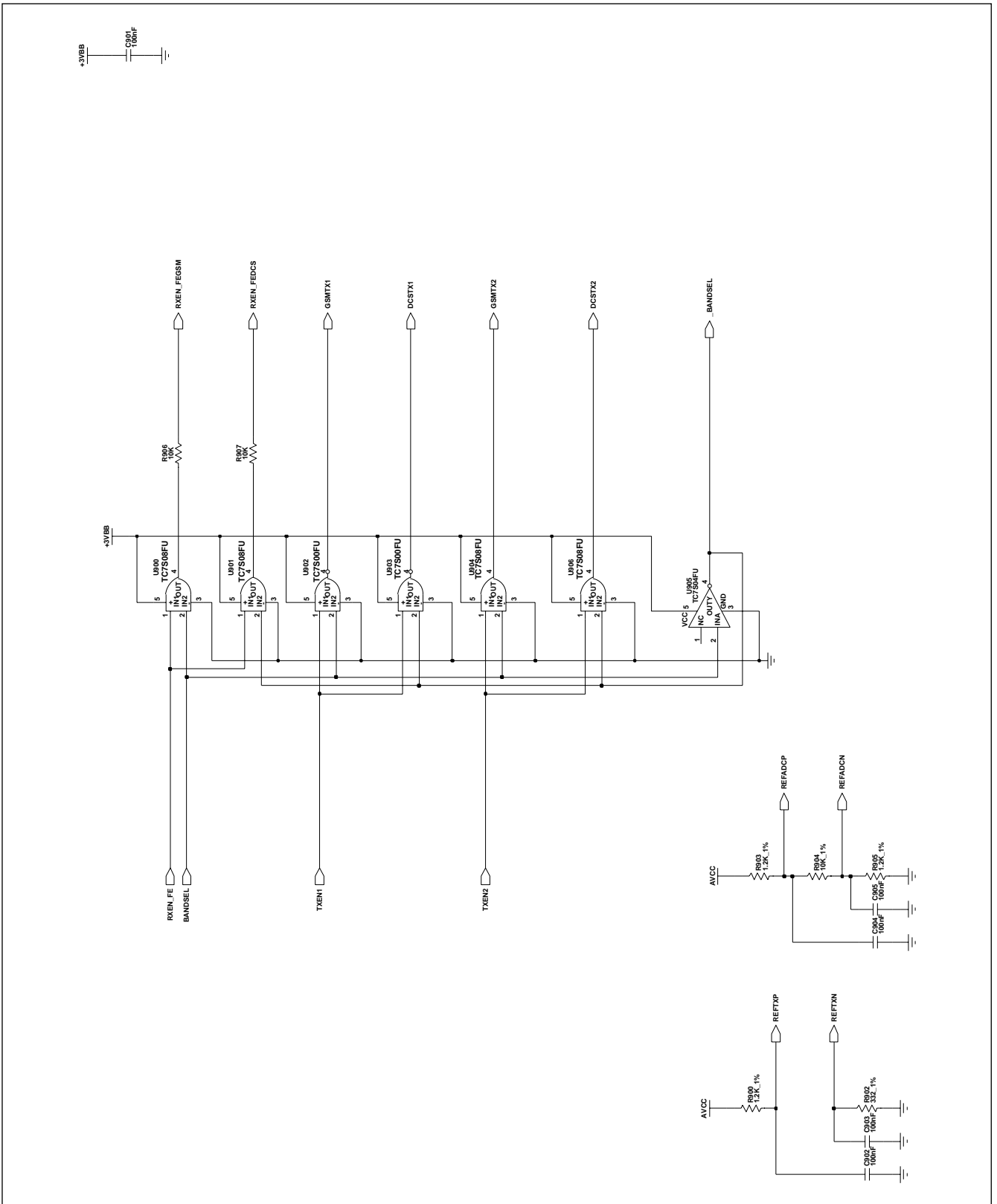
5-12 Kernel



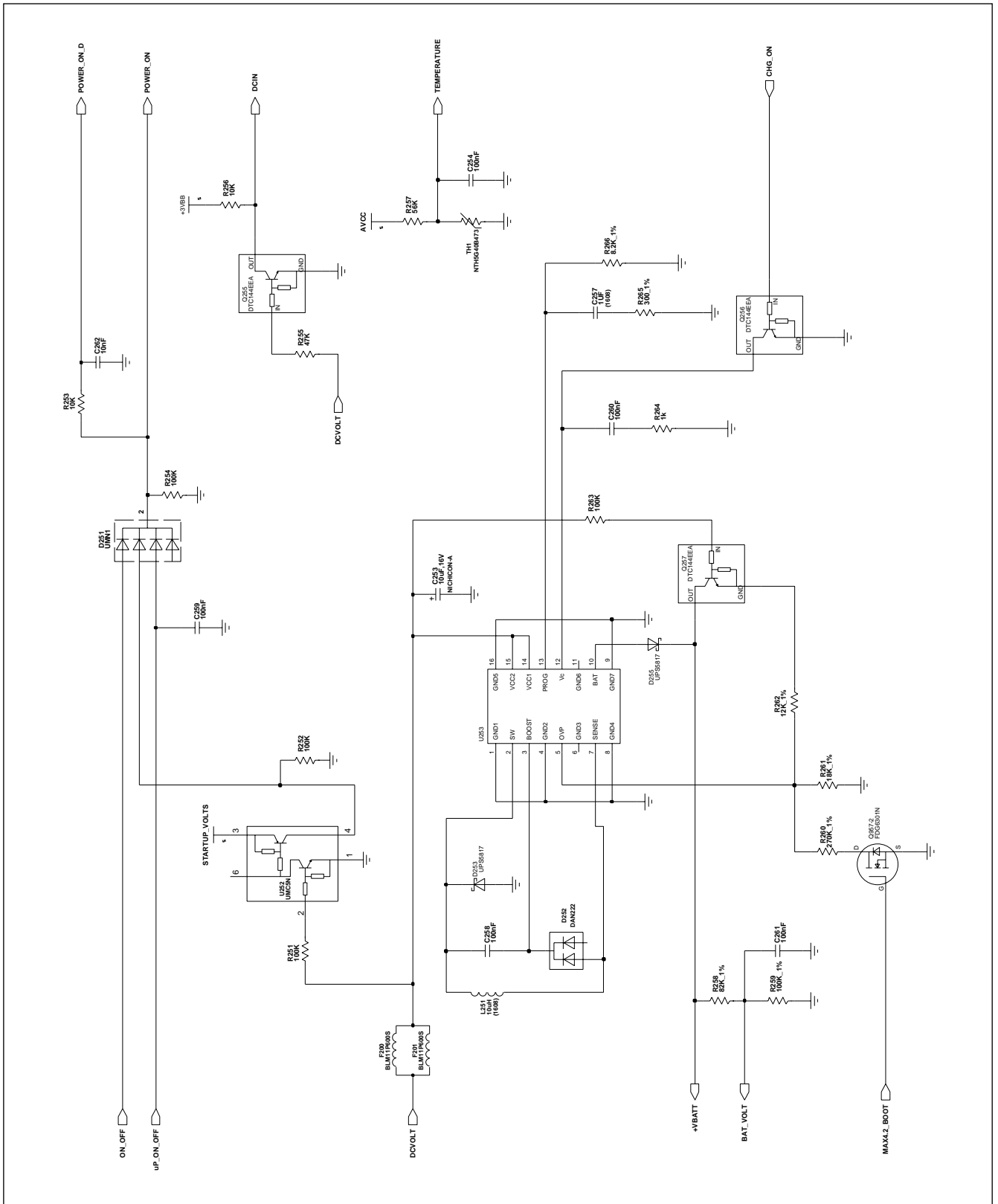
5-13 Baseband Filters



5-14 Control Logics



5-15 Power Management



5-16 Power Supply Units

